

INSTALLATION INSTRUCTIONS

For Model 72381-66-L;72382-66-L;72383-66-L

WARNING! SHUT POWER OFF AT FUSE OR CIRCUIT BREAKER.

AVERTISSEMENT! COUPER LE COURANT AU NIVEAU DES FUSIBLES OU DU DISJONCTEUR.

HANGING THE FIXTURE (Fig. 1)

1. Shut off the power at the circuit breaker and remove the old fixture, including the mounting hardware.
2. Carefully unpack your new fixture and lay out all the parts on a clear area. Take care not to lose any small parts necessary for installation.
3. Attach the crossbar (C) to outlet box (A) (not supplied) with mounting screws (B) (Size: #8-32*0.78"L)
4. Thread all thread (D) into crossbar (C) and secure with hex nut provided (J). Note: The length of all thread (D) into crossbar (C) may be adjusted if necessary.

CONNECTING THE WIRES (Fig. 2)

5. Connect the electrical wires as shown in Fig.2 making sure that all wire connectors are secured. If your outlet box has a ground wire (green or bare copper), connect the fixture's ground wire to it. Otherwise, connect the fixture's ground wire directly to crossbar using green screw provided.

COMPLETING THE INSTALLATION (Fig. 1)

6. Remove frame (I) by loosening the 4 screws (G). Place backplate (E) over all thread (D) and secure with decorative nut (F).
7. Use the 4 screws (G) to secure frame (I) back onto backplate (E).
8. To prevent moisture from entering outlet box and causing a short, use clear caulking (i.e. Indoor/Outdoor Silicone Sealant) to outline the outside of fixture backplate where it meets the wall leaving a space at bottom to allow moisture a means to escape. (Fig. 3)
9. Bulb (H) information: Integrated LED module
1 x AC LED 6W included for 72381-66-L.
1 x AC LED 10W included for 72382-66-L; 72383-66-L.

**DO NOT EXCEED THE MAXIMUM WATTAGE RATING!
(NE PAS DEPASSER LA PUISSANCE NOMINALE MAXIMALE!)**

Your installation is now complete. Return power to the junction box and test the fixture.

Fig. 1

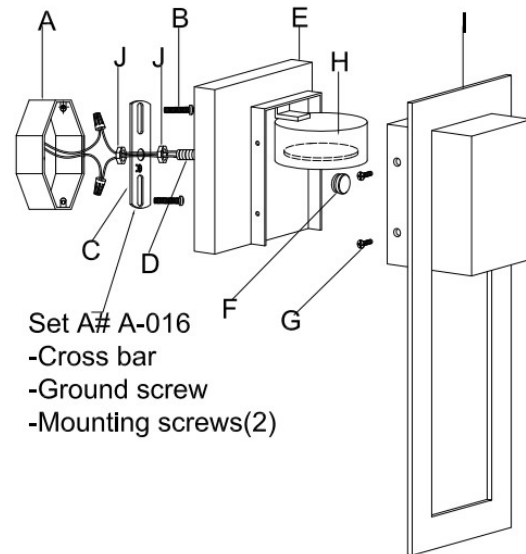


Fig. 2

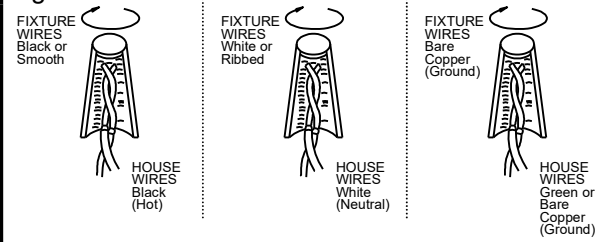


Fig. 3

