

INSTALLATION INSTRUCTIONS

For Model 72487-143C

READ AND SAVE THESE INSTRUCTIONS

WARNING! SHUT POWER OFF AT FUSE OR CIRCUIT BREAKER.

AVERTISSEMENT! COUPER LE COURANT AU NIVEAU DES FUSIBLES OU DU DISJONCTEUR.

HANGING THE FIXTURE (Fig. 1)

1. Shut off the power at the circuit breaker and remove the old fixture, including the mounting hardware.
2. Carefully unpack your new fixture and lay out all the parts on a clear area. Take care not to lose any small parts necessary for installation.
3. Find appropriate threaded holes on the Mounting Plate (D), then assemble Mounting Plate (D) to mounting surface using hardware suitable for material of the mounting surface. Mark position of the holes on the mounting surface before using provide Plastic Anchors (F), drill appropriate holes and assemble as illustrated
4. Attach the mounting plate (D) to the outlet box (A) (not supplied) with mounting screws (C) (Size: #8-32*0.78"L), and to mounting surface with Wood Screws (L). GND must face out.
5. The support cable (J) is provided to support the weight of the fixture while wiring. Align the fixture to mounting plate (D) and attach hook (P) on the end of support cable (J) into a slot located on mounting plate (D). Carefully allow the support cable (J) to support the weight of the fixture while wiring (Fig.1)

CONNECTING THE WIRES (Fig. 2).

6. Connect the electrical wires as shown in Fig.2. Making sure that all wire connectors are secured. If your outlet box has a ground wire (green or bare copper), connect the fixture's ground wire to it. Otherwise, connect the fixture's ground wire directly to the circular strap using the green screw provided.

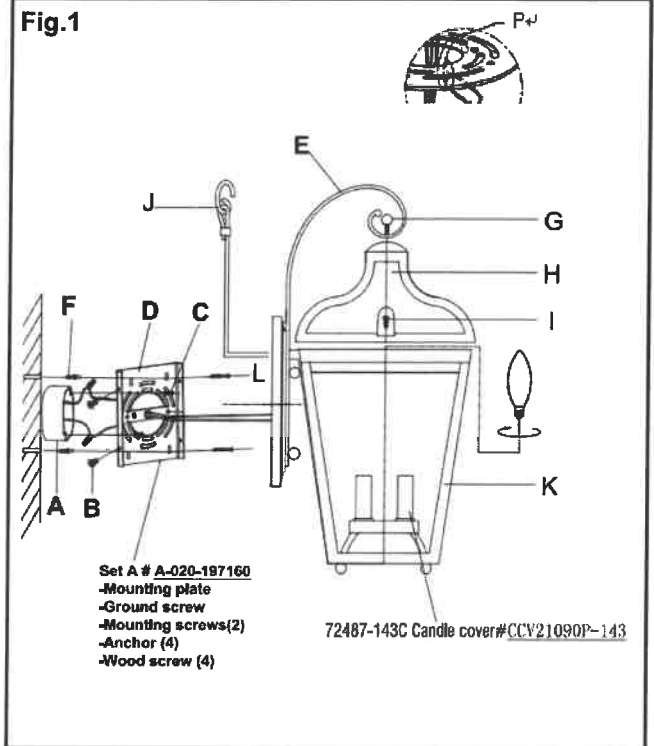
COMPLETING THE INSTALLATION (Fig.1)

7. Install the bulb (E12-Candelabra, not supplied) in accordance with the fixture's specification. Attached the hood (H) to the cage (K), secure with ball nut (G) and two screws (I)
8. Align the fixture back plate to mounting plate (D) and secure with four fixture mounting screws (B) by the side.
9. To prevent moisture from entering the outlet box and causing a short, use clear caulking (i.e. Indoor/Outdoor Silicone Sealant) to outline the outside of fixture back plate where it meets the wall leaving a space at bottom to allow moisture a means to escape. (Fig. 3)

DO NOT EXCEED THE MAXIMUM WATTAGE RATING! (NE PAS DEPASSER LA PUISSANCE NOMINALE MAXIMALE!)

Your installation is now complete. Return power to the junction box and test the fixture.

Fig.1



Set A # A-020-197160

-Mounting plate
-Ground screw
-Mounting screws(2)
-Anchor (4)
-Wood screw (4)

72487-143C Candle cover #CCV21090P-143

Fig. 2

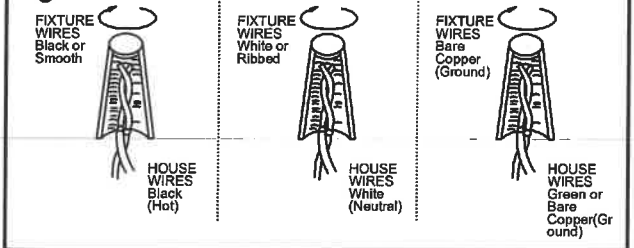
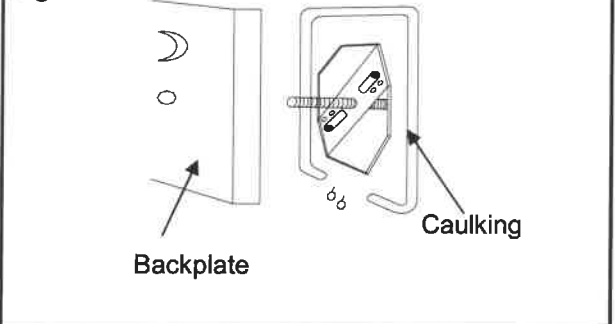


Fig. 3



OK approved 5/3/18

ETL
c-us
Intertek

american
lighting
association