

INSTALLATION INSTRUCTIONS

Model # 72501-PL

READ AND SAVE THESE INSTRUCTIONS

WARNING! SHUT POWER OFF AT FUSE OR CIRCUIT BREAKER.

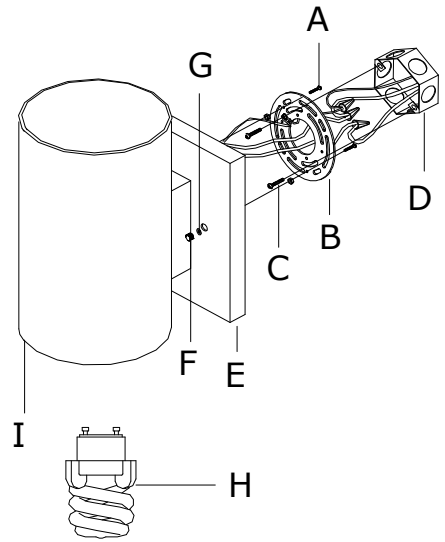
AVERTISSEMENT! COUPER LE COURANT AU NIVEAU DES FUSIBLES OU DU DISJONCTEUR.

PREPARING FOR INSTALLATION (Fig. 1)

1. Shut off power at the circuit breaker and remove the old fixture including the mounting hardware.
2. Carefully unpack your new fixture and lay out all the parts in a clear area. Take care not to misplace any small parts necessary for installation.
3. Unscrew knobs (F), and separate the mounting plate (B) (part #: A-020) from back plate (E), then attach the mounting plate(B) to the outlet box (D) with the outlet box screws(C)(size:8-32*1/2L)
Note: the side of mounting plate marked "GND" must face out.
4. Adjust the length of the two mounting screws (A) on mounting plate (B) spaced the same distance apart as the holes on back plate (E) and secure mounting screws (A) into mounting plate (B) with the hex nuts provided. Note: The length of mounting screw to the mounting plate may be adjusted if necessary.

Fig. 1

Set #:A-020
Circular Strap (1)
Ground Screw(1)
Mounting Screws(2)



CONNECTION THE WIRES (Fig. 2)

5. Connect the electrical wires as shown in Fig.2. making sure that all wire connectors are secured. If your outlet box has a ground wire (green or bare copper), connect the fixture's ground wire to it. Otherwise, connect the fixture's ground wire directly to the circular strap using the green screw.

FINISHING THE INSTALLATION (Fig.1)

6. Align back plate (E) onto mounting screw (A) and secure with rubber washers (G) and knobs (F).(Fig .1)
7. Install the light bulb 1 * 26W GU24 (included) in accordance with the fixture specification. **(DO NOT EXCEED THE MAXIMUM WATTAGE RATING! (NE PAS DEPASSER LA PUISSANCE NOMINALE MAXIMALE!))**
8. To prevent moisture from entering the outlet box (D) and causing a short, use clear silicone sealant to outline the outside of fixture back plate (E) where it meets the wall leaving a space at bottom to allow moisture a means to escape. (Fig .3)

Your installation is now complete. Return power to the outlet box and test the fixture.

"CAUTION-RISK OF FIRE CONSULT A QUALIFIED ELECTRICIAN TO ENSURE CORRECT BRANCH CIRCUIT CONDUCTOR"

"ATTENTION – RISQUE D'INCENDIE, CONSULTER UN ÉLECTRICIEN QUALIFIÉ POUR VOUS ASSURER QUE LES CONDUCTEURS DE LA DÉRIVATION SONT ADÉQUATS."

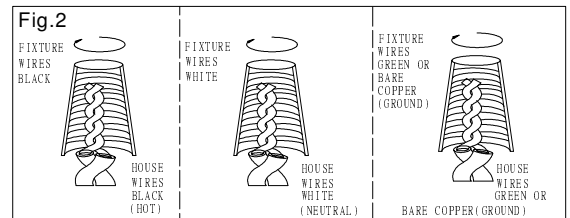


Fig 3

