

INSTALLATION INSTRUCTIONS

Model # 72524/72525-246

READ AND SAVE THESE INSTRUCTIONS

WARNING! SHUT POWER OFF AT FUSE OR CIRCUIT BREAKER.

AVERTISSEMENT! COUPER LE COURANT AU NIVEAU DES FUSIBLES OU DU DISJONCTEUR.

PREPARING FOR INSTALLATION (Fig. 1)

1. Shut off power at the circuit breaker (avertissement! couper le courant au niveau des fusibles ou du disjoncteur) and remove the old fixture including the mounting hardware.
2. Carefully unpack your new fixture and lay out all the parts in a clear area. Take care not to misplace any small parts necessary for installation.
3. Attach the cross bar (E) (part #:A-016) to the outlet box (A) with the outlet box screws (F) (size:8-32*1/2L). Install nipple (G) into crossbar (E) and secure with the hex nut(C) and the washer (D) provided. Note: the side of mounting plate marked "GND" must face out.
4. Attach the canopy loop (I) to the nipple (G). Note: The length of the nipple (G) into the cross bar (E) may be adjusted if necessary.
5. Adjust the chain (K) to the desired length by removing the links if needed and attach one end of the chain to the fixture loop (L). Pass lock collar (J) followed by canopy (H) over the chain and allow them to rest carefully on the cover(N) and then attach the other side of the chain to canopy loop (I).
6. Carefully pass the fixture wires and bare ground wire through the chain (K), canopy loop (I) and nipple (G).
7. Unscrew the screw(M), separate the cover(N) from the fixture frame(S), place the glass(P) into the slot of the fixture frame(S) and then secure it with the glass clip(R)

CONNECTION THE WIRES (Fig. 2)

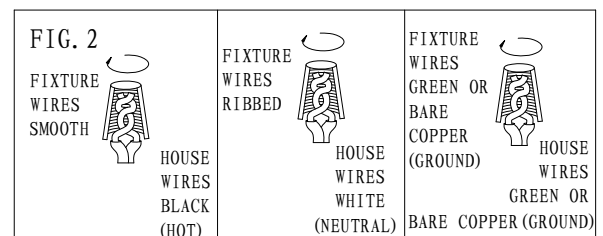
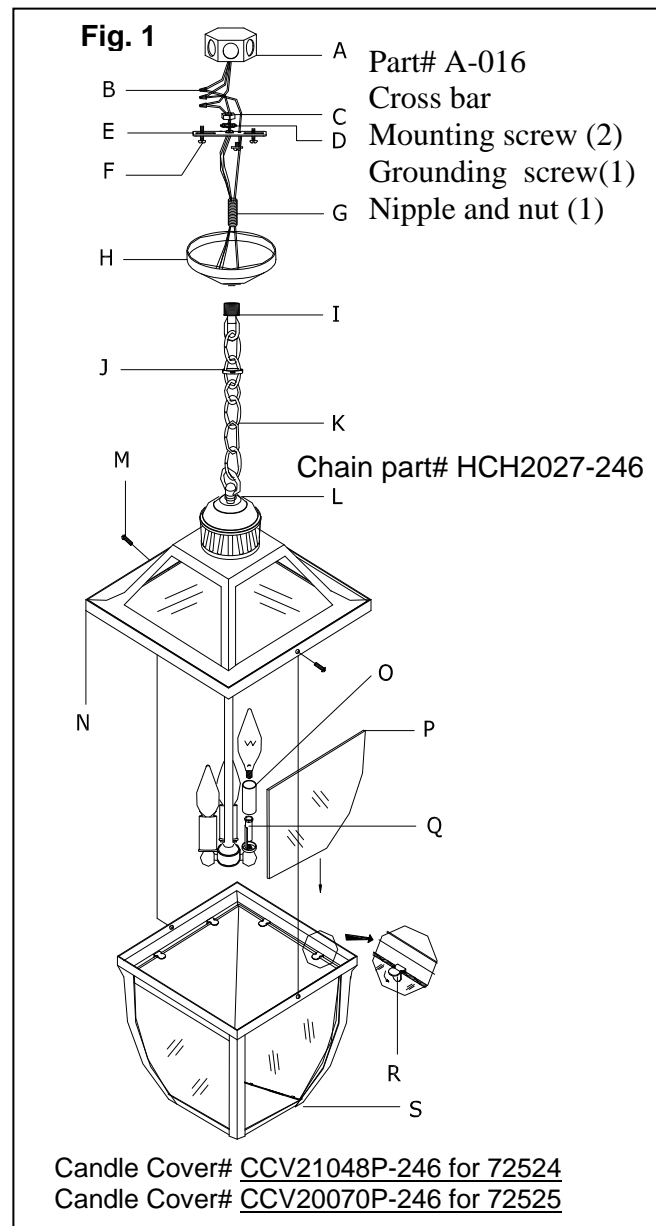
8. Connect the electrical wires as shown in Fig.2. making sure that all wire connectors(B)are secured. If your outlet box has a ground wire (green or bare copper), connect the fixture's ground wire to it. Otherwise, connect the fixture's ground wire directly to the cross bar using the green screw provided.

FINISHING THE INSTALLATION (Fig.1)

9. Align canopy (H) to nipple (G) and secure with lock collar (J), and then put the socket tube(O) to the socket(Q).
10. **Install 60W / type B bulbs (not included) in accordance with the fixture specification. —DO NOT EXCEED THE MAXIMUM WATTAGE RATING! (NE PAS DEPASSER LA PUISSANCE NOMINALE MAXIMALE!)**
11. Attach the fixture frame(S) to the cover(N) with the screws(M).

Your installation is now complete. Return power to the outlet box and test the fixture.

Notice:It is important to use proper chain pliers(not included) To OPEN and CLOSE the chain included with this fixture.Do not open them with other tools that may twist or stress the chain links. It is important to use proper chain pliers like the ones shown in the diagram.



IMPORTANT: FIXTURE SHOULD BE INSTALLED BY A QUALIFIED ELECTRICIAN TO ENSURE PROPER WIRING AND INSTALLATION.

