

# INSTALLATION INSTRUCTIONS

For item#72634-143C (New. 12/11/2017)

## READ AND SAVE THESE INSTRUCTIONS

**WARNING! SHUT POWER OFF AT FUSE OR CIRCUIT BREAKER.**

**AVERTISSEMENT! COUPER LE COURANT AU NIVEAU DES FUSIBLES OU DU DISJONCTEUR.**

### PREPARING FOR INSTALLATION (Fig. 1&Fig. 3)

1. Shut off the power at the fuse box or circuit breaker. If necessary, remove the old fixture, including the mounting hardware.
2. Carefully unpack your new fixture and lay out all parts in a clear area. Take care not to lose any small parts necessary for installation.
3. Place the candle covers (C) over the sockets (B).
4. Install the light bulbs (D) (not included) in accordance with the fixture's specifications. **(DO NOT EXCEED THE MAXIMUM WATTAGE RATING!!) (NE PAS DEPASSER LA PUISSANCE NOMINALE MAXIMALE!)**
5. Install the glass panel (A) into fixture body (E) and secure with the tabs provided.
6. Thread the nipple into the ceiling loop until snug.
7. Thread the other end of the nipple into the crossbar until snug. Note: The length of the nipple into the crossbar may be adjusted if necessary.
8. Use the lock washer and hex nut to secure the nipple into the crossbar.
9. Take this crossbar assembly and mount it to ceiling outlet box with mounting screws (Size: #8-32N\*L0.5"). The side of crossbar marked with "GND" must face out.
10. Determine the desired hanging height and use a pair of proper chain pliers to remove and discard the excess chain.
11. Open one end of chain and attach it to fixture loop and close the chain. Slip the lock collar and canopy over the chain and allow them to rest on the fixture body. Open the other end of the chain and attach it to ceiling loop and close the chain.
12. Carefully lace the fixture's wires through the chain. Feed the fixture wires through the loop and nipple assembly.

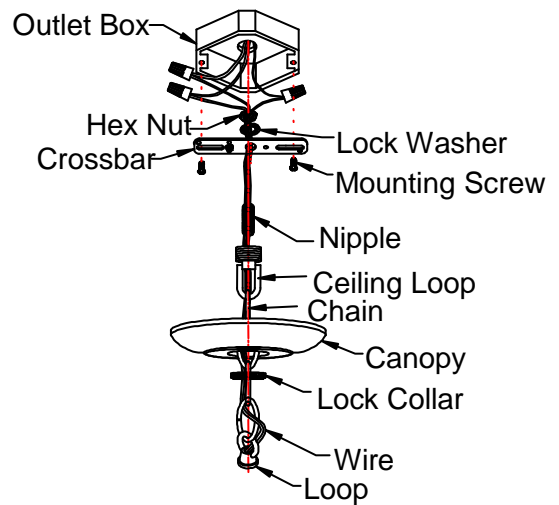
### CONNECTING THE WIRES (Fig. 2)

13. Connect the electrical wires as shown in Fig. 2, making sure that all wire connectors are secured. If your outlet box has a ground wire (green or bare copper), connect the fixture's ground wire to it. Otherwise, connect the fixture's ground wire directly to the crossbar using the green screw provided.
14. Tuck the wire connections neatly into the ceiling outlet box. Raise the canopy to the ceiling and secure it with the lock collar to the fixture ceiling loop.

Your installation is now complete. Return power to the outlet box and test the fixture.

**Note: Illustration (Fig. 3) on this manual is for installation purposes only. It may or may not be identical to the fixture purchased.**

Fig. 1



Chain#HCH2072-143C

Fig. 2

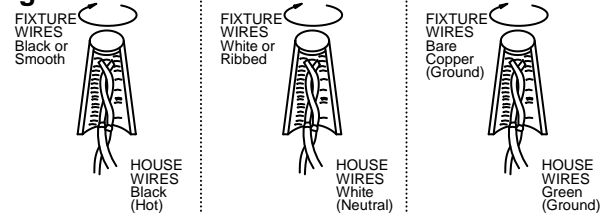
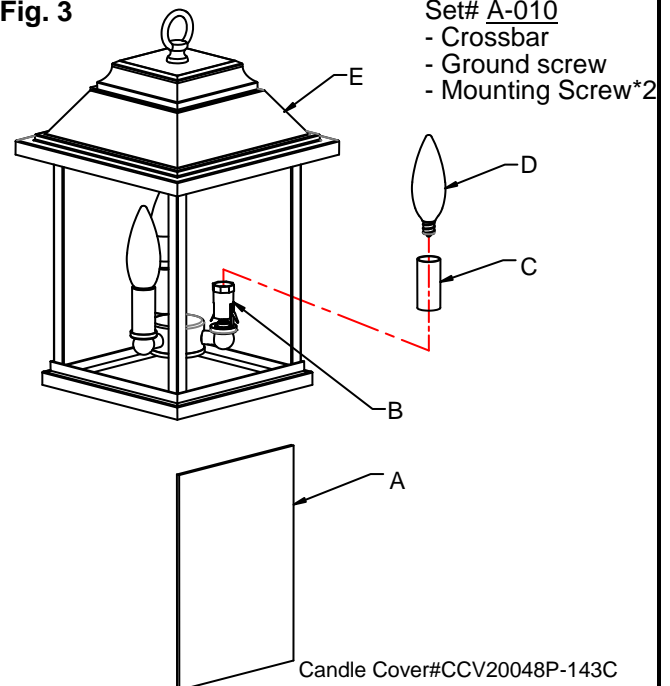


Fig. 3



Notice: It is important to use proper chain pliers (not included) To OPEN and CLOSE the chain included with this fixture. Do not open them with other tools that may twist or stress the chain links. It is important to use proper chain pliers like the ones shown in the diagram.



LA-2900E