

# INSTALLATION INSTRUCTIONS

Item# 72662 72663

READ AND SAVE THESE INSTRUCTIONS

**WARNING! SHUT POWER OFF AT FUSE OR CIRCUIT BREAKER.**  
**AVERTISSEMENT! COUPER LE COURANT AU NIVEAU DES FUSIBLES OU DU DISJONCTEUR.**

## ASSEMBLING THE FIXTURE (Fig.2)

1. Shut off the power at the fuse box or circuit breaker. if necessary, remove the existing fixture and its mounting hardware from the wall.
2. Remove the new fixture from the carton and check that all parts are included as shown in the illustration.
3. Remove screw (H), washer (I), finial (Z) .
4. Install the bulb (F) (bulb included) into the socket cup.  
(DO NOT EXCEED THE MAXIMUM WATTAGE RATING!). (NE PAS DEPASSER LA PUISSANCE NOMINALE MAXIMALE!)
5. Insert the glass from the bottom, thread the screw (H) into the washer (I) and glass(G), secure with the finial (Z).

## MOUNTING THE FIXTURE (Fig.1)

6. Thread the mounting screws (B) into the mounting plate (A) and secure in the junction box. The side of mounting plate marked "GND" must face out.

## CONNECTING THE WIRES (Fig. 3)

7. At this point, connect the fixture wires as showing fig.3, making sure that all wire connectors are secured. If your outlet box has a ground wire (green or bare copper), connect the fixture's ground wire to it. Otherwise, connect the fixture's ground wire directly to the mounting plate (A) using the green screw provided. After the wires are connected, tuck them carefully inside the outlet box.
8. Install the back plate(D) with mounting plate(A) by using mounting screws(C).

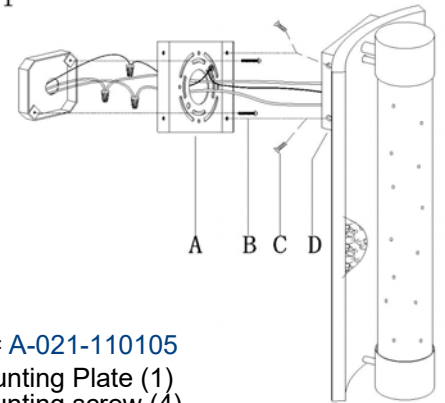
## FINISHING THE INSTALLATION (Fig. 4)

9. To prevent moisture from entering the outlet box and causing a short, use clear silicone sealant to outline the outside of fixture back plate (D) where it meets the wall leaving a space at bottom to allow moisture a means to escape.

Your installation is now complete. Return power and test the fixture.

IMPORTANT: FIXTURE SHOULD BE INSTALLED BY A QUALIFIED ELECTRICIAN TO ENSURE PROPER WIRING AND INSTALLATION.

Fig. 1



Set# A-021-110105

- Mounting Plate (1)
- Mounting screw (4)
- Grounding screw (1)

Fig.2

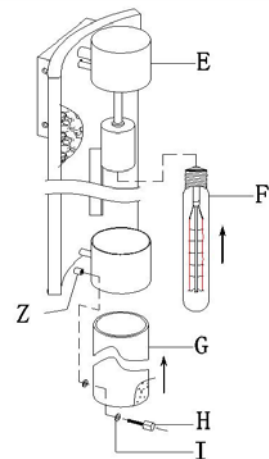


Fig. 3

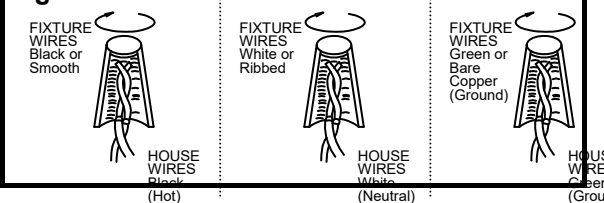


Fig.4

