

# INSTALLATION INSTRUCTIONS

Model # 72722/72723-143C

READ AND SAVE THESE INSTRUCTIONS

**WARNING! SHUT POWER OFF AT FUSE OR CIRCUIT BREAKER.**

**AVERTISSEMENT! COUPER LE COURANT AU NIVEAU DES FUSIBLES OU DU DISJONCTEUR.**

## PREPARING FOR INSTALLATION (Fig. 1)

1. Shut off power at the circuit breaker (avertissement! couper le courant au niveau des fusibles ou du disjoncteur) and remove the old fixture including the mounting hardware.
2. Carefully unpack your new fixture and lay out all the parts in a clear area. Take care not to misplace any small parts necessary for installation.
3. Unscrew the cap nuts (H) and the rubber washers (G), and separate the mounting plate (C) (part #:A-020) from back plate (F), then attach the mounting plate(C) to the outlet box (A) with the outlet box screws(D)(size:8-32\*1/2L)  
Note: the side of mounting plate marked "GND" must face out.
4. Adjust the two mounting screws (E) on mounting plate (C) spaced the same distance apart as the holes on back plate (F). Secure mounting screws (E) into mounting plate (C) with the hex nuts provided. Note: The length of mounting screws (E) into mounting plate (C) may be adjusted if necessary.

## CONNECTION THE WIRES (Fig. 2)

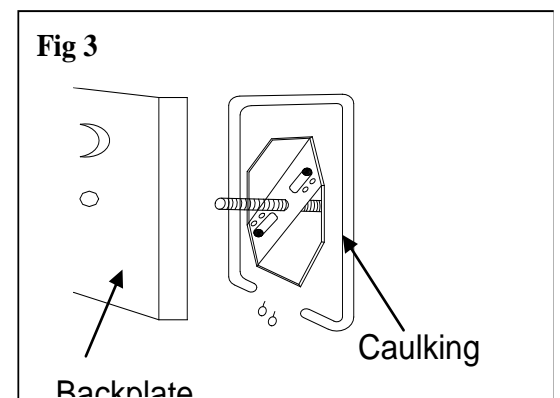
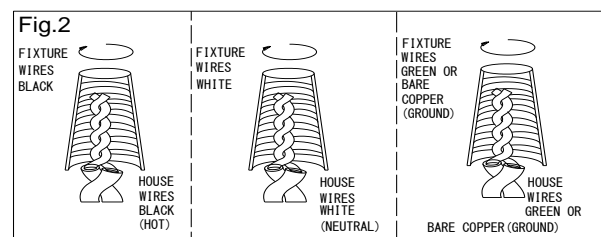
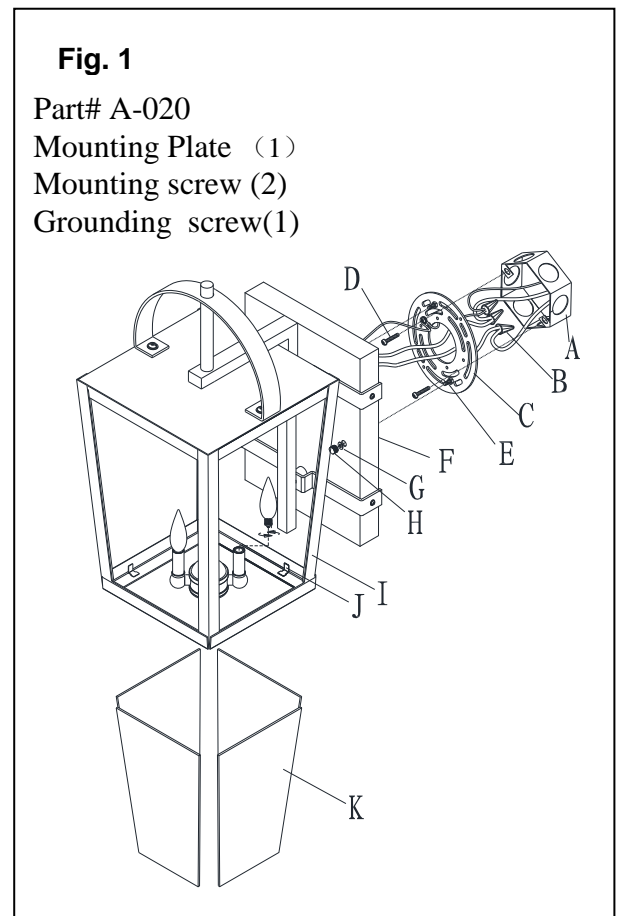
5. Connect the electrical wires as shown in Fig.2. making sure that all wire connectors (B) are secured. If your outlet box has a ground wire (green or bare copper), connect the fixture's ground wire to it. Otherwise, connect the fixture's ground wire directly to the circular strap using the green screw

## FINISHING THE INSTALLATION (Fig.1)

6. Align back plate (F) onto mounting plate (C) and secure with the rubber washers (G) and cap nuts (H).
7. Place the glass (K) into the slot of the fixture frame (I) and press the clips(J) tightly.
8. **Install 60W / type B bulbs (bulbs not included) in accordance with the fixture specification. —DO NOT EXCEED THE MAXIMUM WATTAGE RATING! (NE PAS DEPASSER LA PUISSANCE NOMINALE MAXIMALE!)**
9. To prevent moisture from entering the outlet box (A) and causing a short, use clear silicone sealant to outline the outside of fixture back plate (F) where it meets the wall leaving a space at bottom to allow moisture a means to escape. (Fig .3)

Your installation is now complete. Return power to the outlet box and test the fixture.

**IMPORTANT: FIXTURE SHOULD BE INSTALLED BY A QUALIFIED ELECTRICIAN TO ENSURE PROPER WIRING AND INSTALLATION.**



american  
lighting  
association