

# INSTALLATION INSTRUCTIONS

For Model 72752-66G

READ AND SAVE THESE INSTRUCTIONS

**WARNING! SHUT POWER OFF AT FUSE OR CIRCUIT BREAKER.**

**AVERTISSEMENT! COUPER LE COURANT AU NIVEAU DES FUSIBLES OU DU DISJONCTEUR.**

## HANGING THE FIXTURE (Fig. 1)

1. Shut off power at the fuse box or circuit breaker box and remove the old fixture including the mounting hardware.
2. Carefully unpack your new fixture and lay out all the parts in a clear area. Take care not to misplace any small parts necessary for installation.
3. Attach the mounting plate (B) to the outlet box (A) (not supplied) with outlet box screws (C). (Size: #8-32\*0.78"L).  
Note: The side of mounting plate marked "GND" must face out.
4. Fix the glasses(L) on to the cage(G) by gasket(M).
5. Install (4) four candelabra base bulbs up to 60 watts or CFL or LED equivalent (not included) in accordance with the fixture specification.- **DO NOT EXCEED THE MAXIMUM WATTAGE RATING! (NE PAS DEPASSER LA PUISSANCE NOMINALE MAXIMALE!)**
6. Raise the cage (G) back to the fixture (E) and secure with screws (F). Raise the bottom claw (I) over the nipple (H) and screw on finial (J) until secure.

## CONNECTING THE WIRES (Fig. 2).

7. Connect the electrical wires as shown in Fig.2. Making sure that all wire connectors are secured. If your outlet box has a ground wire (green or bare copper), connect the fixture's ground wire to it. Otherwise, connect the fixture's ground wire directly to the mounting plate (B) using the green screw provided.

## COMPLETING THE INSTALLATION (Fig.1)

8. Align the fixture back plate of fixture (E) to mounting plate (B) and secure with screws (D).
9. To prevent moisture from entering the outlet box and causing a short, use clear caulking (i.e. Indoor/Outdoor Silicone Sealant) to outline the outside of fixture back plate where it meets the wall leaving a space at bottom to allow moisture a means to escape. (Fig. 3)

Your installation is now complete. Return power to the junction box and test the fixture.

Fig.1

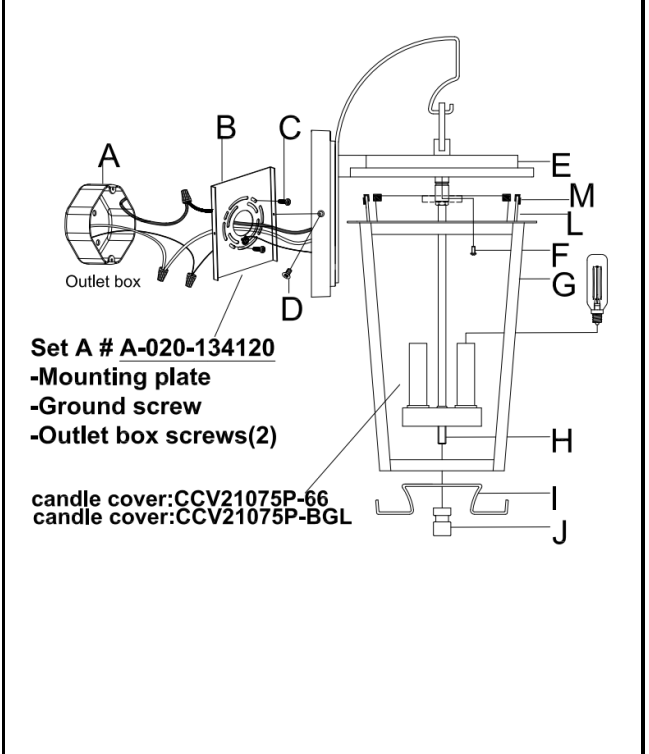


Fig. 2

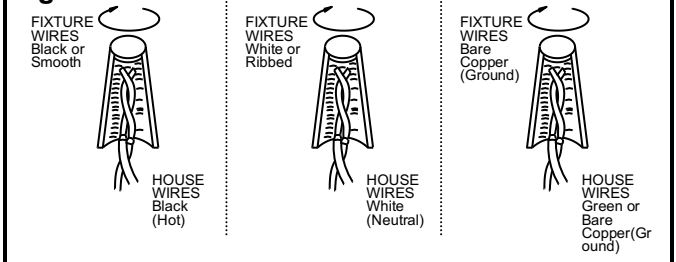


Fig. 3

