

# INSTALLATION INSTRUCTIONS

Model # 72761-66-L/72762-66-L/72763-66-L  
READ AND SAVE THESE INSTRUCTIONS

**WARNING! SHUT POWER OFF AT FUSE OR CIRCUIT BREAKER.**  
**AVERTISSEMENT! COUPER LE COURANT AU NIVEAU DES FUSIBLES OU DU DISJONCTEUR.**

## PREPARING FOR INSTALLATION (Fig. 1)

1. Shut off power at the fuse box or circuit breaker box and remove the old fixture including the mounting hardware.
2. Carefully unpack your new fixture and lay out all the parts in a clear area. Take care not to misplace any small parts necessary for installation.
3. Remove the screws (D) and the rubber washers (C), separate mounting plate (A) from canopy (F). Attach mounting plate (A) onto the junction box with the mounting screws (B), the side of the mounting plate marked "GND" must be face out.

## CONNECTION THE WIRES (Fig. 2)

4. Connect the electrical wires as shown in (Fig.2), making sure that all wire connectors are secured. If your junction box has a ground wire (green or bare copper), connect the fixture's ground wire to it. Otherwise, connect the fixture's ground wire directly to the mounting plate (A) using the green screw provided. After wires are connected, tuck them carefully into the junction box.

## FINISHING THE INSTALLATION (Fig.1)

5. Place canopy (F) over the mounting plate (A) and secure with screws (D) and the rubber washers (C).
6. Install the glass (G) into the fixture frame (H).
7. To prevent moisture from entering the junction box and causing a short, use clear silicone sealant to outline the outside of fixture back plate where it meets the wall leaving a space at bottom to allow moisture a means to escape.

NOTE: If the LED module needs to be replaced, remove screws (J), remove the ends (K), rubber pad (L) and plastic cover (N) from LED panel (O). Pull out the plastic cover (N). Remove the screws (M) from the LED panel (O). Unplug the wire (P). Replace it with a new LED panel. Connect wire (P) to LED panel (O). Secure LED panel (O) into the aluminum housing (Q) with screws (M). Insert the plastic cover (N) to aluminum housing (Q). Install the ends (K) and rubber pad (L) to aluminum housing (Q) with screws (J).

Your installation is now complete. Return power to the outlet box and test the fixture.

**IMPORTANT: FIXTURE SHOULD BE INSTALLED BY A QUALIFIED ELECTRICIAN TO ENSURE PROPER WIRING AND INSTALLATION.**

FIG.1

Part# A-021-114170 & A-021-114230 & A-021-114250  
- Mounting Plate  
- Ground Screw\*1  
- Mounting Screw\*2

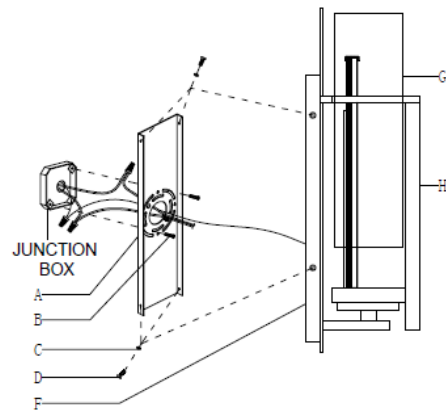


FIG.2

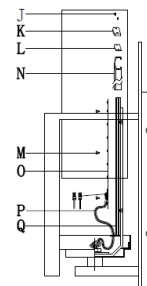


FIG.3

FIXTURE WIRES	HOUSE WIRES	FIXTURE WIRES	HOUSE WIRES	FIXTURE WIRES	HOUSE WIRES
Black or Smooth	Black (Hot)	White or Ribbed	White (Neutral)	Bare Copper (Ground)	Green or Bare Copper (Ground)

american  
lighting  
association



FIG.4

