

INSTALLATION INSTRUCTIONS

Item#73152-143C (New. 12/14/2019)

READ AND SAVE THESE INSTRUCTIONS

WARNING! SHUT POWER OFF AT FUSE OR CIRCUIT BREAKER.
AVERTISSEMENT! COUPER LE COURANT AU NIVEAU DES FUSIBLES OU DU DISJONCTEUR.

MOUNTING THE FIXTURE (Fig.1)

1. Shut off power at the fuse box or circuit breaker box and remove the old fixture including the mounting hardware.
2. Carefully unpack your new fixture and lay out all the parts in a clear area. Take care not to misplace any small parts necessary for installation.
3. Position the mounting plate (A) on the wall and mark location of the two mounting holes. Drill holes on the wall and insert the plastic anchors (H).
4. Attach the mounting plate (A) to the junction box using mounting screws (B) (Size: #8-32N*L0.5"). The side of the mounting plate marked "GND" must face out.
5. Secure the mounting plate (A) by inserting the wood screws (I) through the holes on the mounting plate into the plastic anchors (H).
6. Install the glass panel (G) into fixture body (C) and secure with the tabs (E) inside the frame.

CONNECTING THE WIRES (Fig. 2)

7. Connect the electrical wires as shown in Fig. 2, making sure that all wire connectors are secured. If your outlet box has a ground wire (green or bare copper), connect the fixture's ground wire to it. Otherwise, connect the fixture's ground wire directly to the mounting plate (A) using the green screw provided. After the wires are connected, carefully tuck them inside the junction box.

COMPLETING THE INSTALLATION

8. Align the fixture body (C) onto the mounting plate (A) followed by plastic washer (J) and secure with screws (D).
9. To prevent moisture from entering the outlet box and causing a short, use clear caulking (i.e. Indoor/Outdoor Silicone Sealant) to outline the outside of fixture back-plate (C) where it meets the wall leaving a space at bottom to allow moisture a means to escape (Fig.3).
10. Install (1) one medium base bulb up to 60 watts (F) or CFL or LED equivalent (not included) in accordance with the fixture specification. **(DO NOT EXCEED THE SPECIFIED WATTAGE!) (NE PAS DEPASSER LA PUISSANCE NOMINALE MAXIMALE!).**
11. This fixture is ETL Listed for Wet Location applications.

Your installation is now complete. Return power and test the fixture.

Note: Illustration (Fig. 1) on this manual is for installation purposes only. It may or may not be identical to the fixture purchased.

Fig. 1

- Set#A-021-140222
-Mounting Plate
-Ground Screw
-Mounting Screw*2

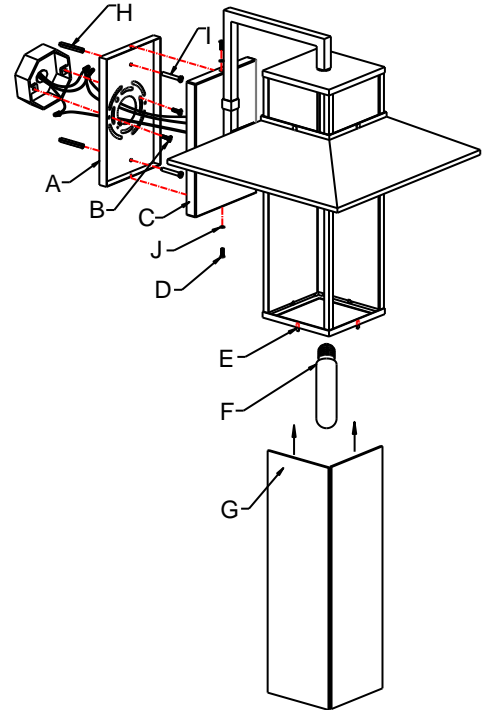


Fig. 2

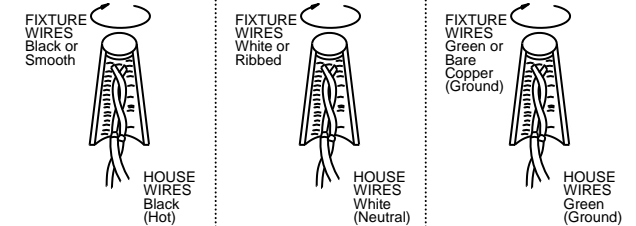


Fig. 3

