

INSTALLATION INSTRUCTIONS

Model# 73281-66

READ AND SAVE THESE INSTRUCTIONS

WARNING! SHUT POWER OFF AT FUSE OR CIRCUIT BREAKER.

AVERTISSEMENT! COUPER LE COURANT AU NIVEAU DES FUSIBLES OU DU DISJONCTEUR.

PREPARING FOR INSTALLATION (Fig. 1)

1. Shut off power at the fuse box or circuit breaker box and remove the old fixture including the mounting hardware.
2. Carefully unpack your new fixture and lay out all the parts in a clear area. Take care not to misplace any small parts necessary for installation.
3. Attach mounting plate (B) using outlet box screws (D) to outlet box (A) (not included). The side of mounting plate marked "GND" must face out. (Fig. 1)

CONNECTING THE WIRES (Fig. 2)

4. Connect electrical wires as shown in Fig.2 with connectors (E), making sure that all wire connectors are secured. If your outlet box (A) has a ground wire (green or bare copper), connect fixture's ground wire to it. Otherwise, connect fixture's ground wire directly to mounting plate (B) using green screw (C) provided.
5. Tuck wire connectors neatly into the outlet box (A).

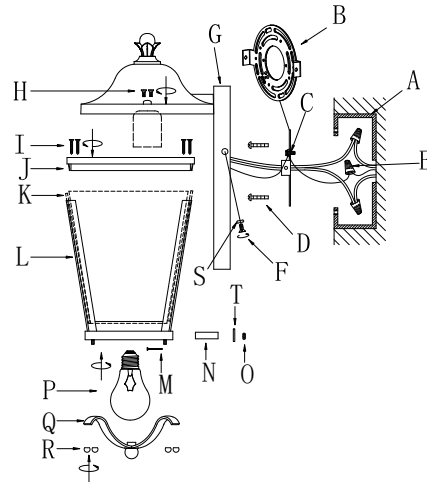
COMPLETING THE INSTALLATION (Fig. 1)

6. Secure mounting plate (B) to back plate (G) using mounting screws (F, 2pcs) and plastic washers (S) until tight.
7. Install (1) one medium base bulb (P) up to 60 Watts, or CFL or LED equivalent (not included), in accordance with the fixture specification. **(DO NOT EXCEED THE MAXIMUM WATTAGE RATING) (NE PAS DEPASSER LA PUISSANCE NOMINALE MAXIMALE!)**
8. Adjust arm of bottom scroll (Q) to align with holes on frame (L). Secure bottom scroll (Q) to frame (L) with ball knobs (R, 4pcs) until tight.
9. To prevent moisture from entering outlet box (A) and causing a short, use clear silicone sealant to outline outside of fixture back plate (G) where it meets wall leaving a space at bottom to allow moisture a means to escape. (Fig.3)
10. To replace glass, remove mounting screws (F, 2pcs), plastic washers (S) and connectors (E), to remove back plate (G). Then loosen nut (O), metal washer (T) and screw (M) to remove support bar (N). Loosen screw (H) to separate top cover (G) from upper frame (J). Loosen screw (I) and separate upper frame (J) from fixture frame (L). Insert new glass (K) into fixture frame from above. Secure upper frame (J) to fixture frame (L) with screws (I, 4pcs) until tight. Then reinstall top cover (G) on upper frame (J) with screws (H). Secure support bar (N) to back plate (G) with screw (M), nut (O) and metal washer (T) until tight. Re-install back plate (G) to mounting plate (B) after connecting the electrical wires with connectors (E).
11. This fixture is ETL listed for wet location applications.

Your installation is now complete. Return power to the outlet box and test the fixture.

Fig. 1

Mounting Plate (1) (Part# A-020-118A)
Ground Screw (1)
Mounting Screws (2)



Glass code# G73281

Fig.2

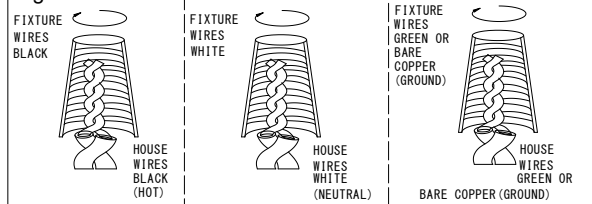
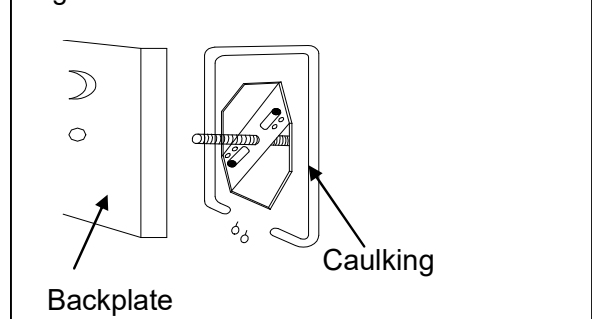


Fig. 3



“CAUTION-RISK OF FIRE CONSULT A QUALIFIED ELECTRICIAN TO ENSURE CORRECT BRANCH CIRCUIT CONDUCTOR”

ATTENTION – RISQUE D'INCENDIE. CONSULTER UN ÉLECTRICIEN QUALIFIÉ POUR VOUS ASSURER QUE LES CONDUCTEURS DE LA DÉRIVATION SONT ADÉQUATS.