

INSTALLATION INSTRUCTIONS

For Model 73355-757/73356-757

READ AND SAVE THESE INSTRUCTIONS

WARNING! SHUT POWER OFF AT FUSE OR CIRCUIT BREAKER.

AVERTISSEMENT! COUPER LE COURANT AU NIVEAU DES FUSIBLES OU DU DISJONCTEUR.

HANGING THE FIXTURE (Fig. 1)

1. Shut off power at the fuse box or circuit breaker box and remove the old fixture including the mounting hardware.
2. Carefully unpack your new fixture and lay out all the parts in a clean area. Take care not to misplace any small parts necessary for installation.
3. Separate top cover (D) by loosening two screws (E) & washers (F).
4. Insert caps (G) on the candle covers (H).
5. Install (3) three candelabra base bulbs for 73356-757 or (4) four candelabra base bulbs (C) for 73355-757 up to 60 watts or CFL or LED equivalent (not included) in accordance with the fixture specification. **(DO NOT EXCEED THE SPECIFIED WATTAGE!) (NE PAS DEPASSER LA PUISSANCE NOMINALE MAXIMALE!)**
6. Re-attached the top cover (D) and secure with two screws (E) & washers (F).

CONNECTINE THE WIRES (Fig.2)

7. While supporting the fixture, connect the electrical wires as shown in Fig.2. If your post has a ground wire (green or bare copper), connect fixture ground wire to it. If not, consult your electrician for proper grounding.
8. After the wires are connected, tuck them carefully inside the post cup (A). (Not included)

COMPLETING THE INSTALLATION (Fig. 1)

9. Place the fixture onto post cup (A) and secure with the three mounting screws (B).

Your installation is now complete. Return power to the junction box and test the fixture.

Fig. 1

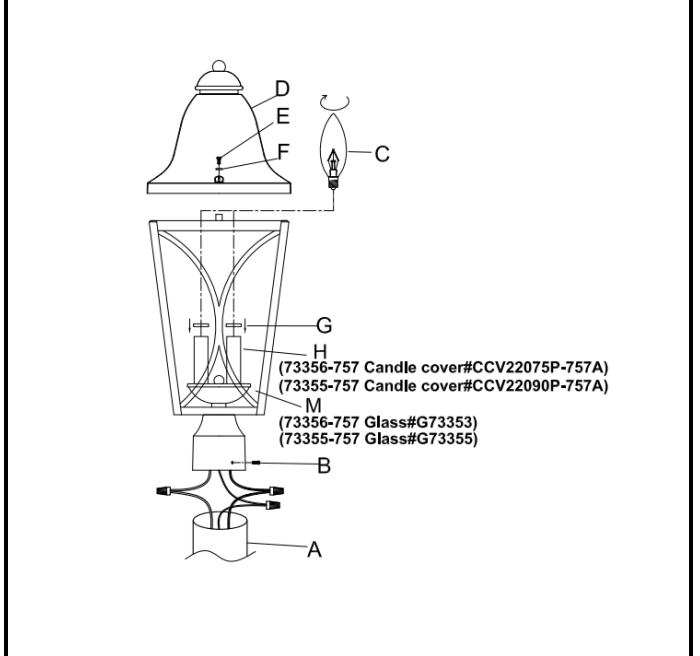


Fig. 2

