

INSTALLATION INSTRUCTIONS

Item# 749-2-XX-L/759-2-XX-L/769-2-XX-L

READ AND SAVE THESE INSTRUCTIONS

WARNING! SHUT POWER OFF AT FUSE OR CIRCUIT BREAKER.

AVERTISSEMENT! COUPER LE COURANT AU NIVEAU DES FUSIBLES OU DU

READ AND SAVE THESE INSTRUCTIONS

WARNING! SHUT POWER OFF AT FUSE OR CIRCUIT BREAKER.

AVERTISSEMENT! COUPER LE COURANT AU NIVEAU DES FUSIBLES OU DU DISJONCTEUR.

PREPARATION

1 : Shut off power at the fuse box or circuit breaker box and remove the old fixture including the mounting hardware.

2 : Carefully unpack your new fixture and lay out all the parts in a clean area. Take care not to misplace any small parts necessary for installation.

INSTALLATION & ASSEMBLY (Fig.1 & Fig.2)

3 : Attach mounting plate (B) to outlet box (A) (Not included) using the outlet box screws (C) provided.

4 : Attach support cable (F) to the slotted holes on mounting plate (B), carefully allow support cable (F) to support weight of fixture while wiring.

5 : Pull power supply wires out from outlet box (A). Connect black supply wire to the black fixture wire using wire nut (D). Connect the white supply wire to the white fixture wire using wire nut (D). Connect the fixture ground wire and the supply ground wire together using wire nut (D). Wrap all wire connections with electrical tape for a more secure connection.

6 : Carefully tuck all wires and wire connections into outlet box (A).

7 : Raise fixture body and align tab to the clamping position (E) of mounting plate (B). Push upward and rotate to install until tightening.

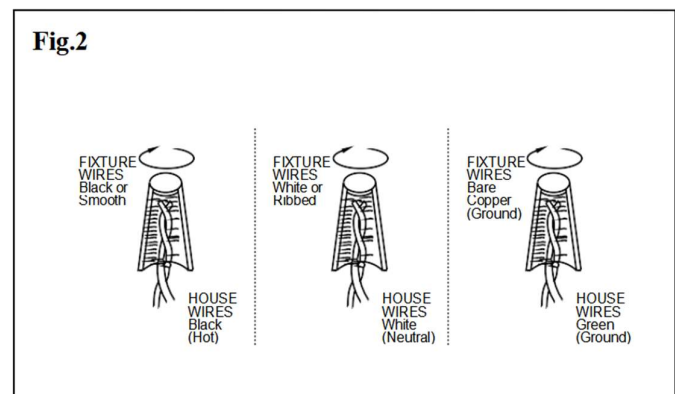
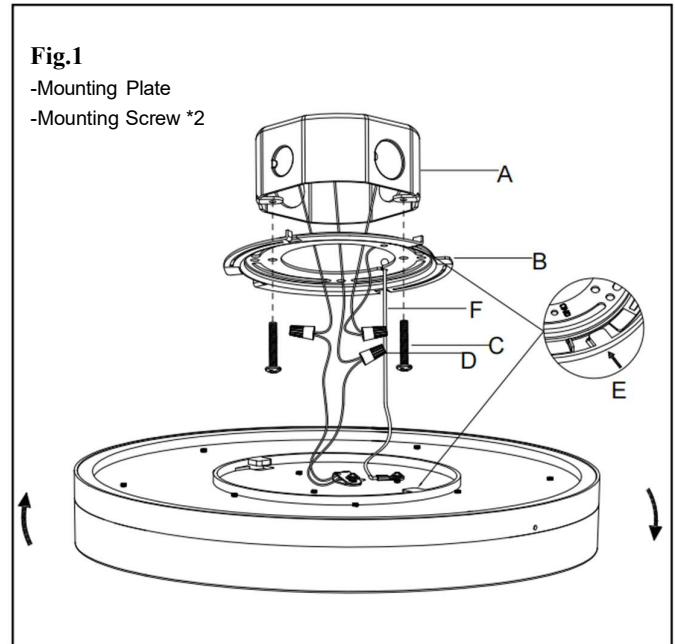
Your installation is now complete. Return power and test the fixture.

Care and maintenance

Use a clean, soft cloth to wipe the surface of the fixture.

DO NOT use any cleaners with chemicals, solvents or harsh abrasives.

Dimming: Dimmable with ELV and/or LED compatible wall dimmer switches.



IMPORTANT: FIXTURE SHOULD BE INSTALLED BY A QUALIFIED ELECTRICIAN TO ENSURE PROPER WIRING AND INSTALLATION.

