

INSTALLATION INSTRUCTIONS

Model # 7993-66/7994-66

READ AND SAVE THESE INSTRUCTIONS

WARNING! SHUT POWER OFF AT FUSE OR CIRCUIT BREAKER.

AVERTISSEMENT! COUPER LE COURANT AU NIVEAU DES FUSIBLES OU DU DISJONCTEUR.

PREPARING FOR INSTALLATION (Fig. 1)

1. Shut off power at the fuse box or circuit breaker box and remove the old fixture including the mounting hardware.
2. Carefully unpack your new fixture and lay out all the parts in a clear area. Take care not to misplace any small parts necessary for installation.
3. Remove screws (F) and rubber washers (E) and separate mounting plate (C) from back plate (G).
4. Position mounting plate (C) on wall and mark location of four drywall anchors (O). Pre-drill holes for drywall anchors (O). Insert drywall anchors (O) into wall.
5. Attach mounting plate (C) to outlet box (A) (Not included) with outlet box screws (D). Note: The side of mounting plate marked "GND" must face out.
6. Place woodscrews (N) through holes into drywall anchor (O) to secure mounting plate (C) as shown in Fig. 1.
7. The support cable (P) is provided to support weight of fixture while wiring. Align fixture to mounting plate (C) and attach hook (Q) on the end of support cable (P) into a slot located on mounting plate (C). Carefully allow support cable (P) to support the weight of fixture while wiring (Fig. 1)

CONNECTING THE WIRES (Fig. 2)

8. Connect the electrical wires as shown in Fig. 2. Making sure that all wire connectors (B) are secured. If your outlet box (A) has a ground wire (green or bare copper), connect fixture's ground wire to it. Otherwise, connect fixture's ground wire directly to mounting plate (C) using green screw provided.
9. Tuck wire connectors neatly into outlet box (A).

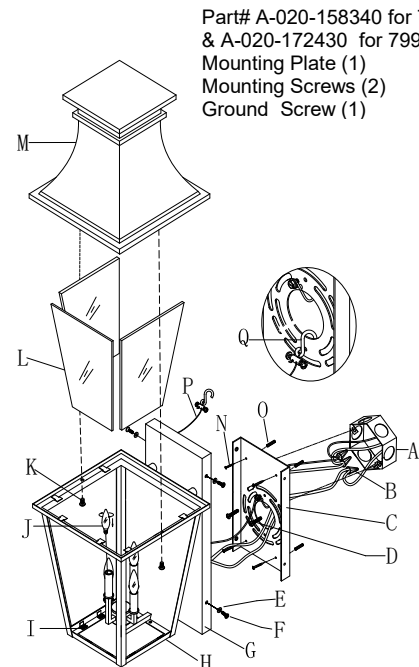
FINISHING THE INSTALLATION (Fig. 1)

1. Align back plate (G) onto mounting plate (C) and secure with rubber washers (E) and screws (F).
2. Install glass panels (L) into holder of fixture body (H) and secure with tabs (I) on top and bottom.
3. Install (4) four candelabra base bulbs (J) up to 60 watts or CFL or LED equivalent (not included) in accordance with the fixture specification. **—DO NOT EXCEED THE MAXIMUM WATTAGE RATING! (NE PAS DEPASSER LA PUISSANCE NOMINALE MAXIMALE!)**
4. Place cover (M) onto fixture body (H) and secure with screws (K).
5. To prevent moisture from entering the outlet box (A) and causing a short, use clear silicone sealant to outline the outside of back plate (G) where it meets wall leaving a space at bottom to allow moisture a means to escape. (Fig. 3)

Your installation is now complete. Return power to the outlet box and test the fixture.

IMPORTANT: FIXTURE SHOULD BE INSTALLED BY A QUALIFIED ELECTRICIAN TO ENSURE PROPER WIRING AND INSTALLATION.

Fig. 1



Glass# G7993 for 7993, Glass# G7994 for 7994
Candle Cover# CCV21075P-66 Short Sand Coal for 7993
Candle Cover# CCV21075P-06 Short Soft Cream for 7993
Candle Cover# CCV21100P-66 Long Sand Coal for 7993
Candle Cover# CCV21100P-06 Long Soft Cream for 7993
Candle Cover# CCV21085P-66 Short Sand Coal for 7994
Candle Cover# CCV21085P-06 Short Soft Cream for 7994
Candle Cover# CCV21110P-66 Long Sand Coal for 7994
Candle Cover# CCV21110P-06 Long Soft Cream for 7994

Fig. 2

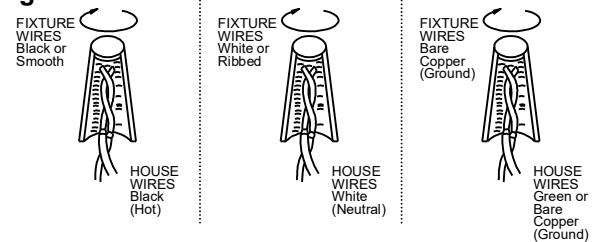


Fig. 3

