

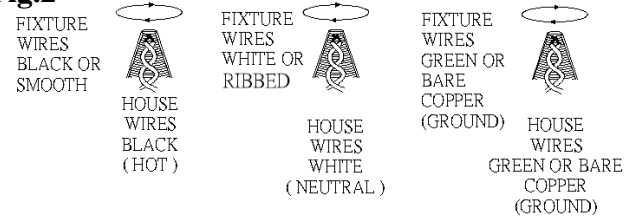
INSTALLATION INSTRUCTION FOR FIXTURE 823

WARNING! SHUT POWER OFF AT FUSE OR CIRCUIT BREAKER.
AVERTISSEMENT! COUPER LE COURANT AU NIVEAU DES FUSIBLES OU DU DISJONCTEUR.

MOUNTING THE FIXTURE (Fig. 1)

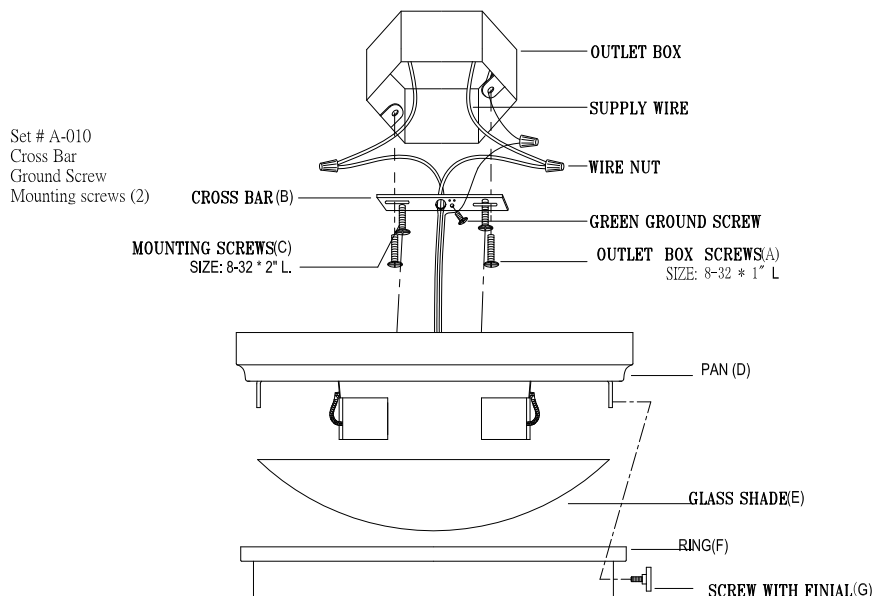
1. Shut off the power supply at the fuse box or circuit breaker. If necessary, remove the old fixture and all mounting hardware from the outlet box.
2. Carefully unpack your new fixture and lay out all the parts in a clear area. Take care not to lose any parts necessary for installation.
3. Attach the cross bar (B) to the outlet box using the outlet box screws (A) (Size: 8-32 * 1" L). The side of the cross bar marked "GND" must face out.
4. Follow the wiring instructions carefully (Fig.2).
5. Thread the mounting screws (C) 1/4" into the cross bar (B)
6. Attach the fixture pan (D) to the cross bar (B) by protruding the mounting screw (C) (Size: 8-32 * 2" L.) through the keyholes in the pan (D), then rotate the pan (D) until the mounting screw (C) (Size: 8-32 * 2" L.) are seated in the slots of the keyholes then tighten the screws with a screwdriver.
7. Install (2) two medium base bulbs up to 60 watts each or CFL or LED equivalent (not included) in accordance with fixture's specifications. **(DO NOT EXCEED THE MAXIMUM WATTAGE RATING!) (NE PAS DEPASSER LA PUISSANCE NOMINALE MAXIMALE!).**
8. Place glass shade (E) onto ring (F) and secure ring (F) to the pan (D) using finials (G).

Fig.2



Your installation is now complete. Return power to the outlet box and test the fixture.

Fig.1



MIN 90 °C SUPPLY CONDUCTORS



american
lighting
association