

# INSTALLATION INSTRUCTIONS

Model # 8265

READ AND SAVE THESE INSTRUCTIONS

**WARNING! SHUT POWER OFF AT FUSE OR CIRCUIT BREAKER.**

**AVERTISSEMENT! COUPER LE COURANT AU NIVEAU DES FUSIBLES OU DU DISJONCTEUR.**

## PREPARING FOR INSTALLATION (Fig. 1)

1. Shut off power at the circuit breaker and remove the old fixture including the mounting hardware.
2. Carefully unpack your new fixture and lay out all the parts in a clear area. Take care not to misplace any small parts necessary for installation.
3. Pull the black, white and ground wires out of post (F).

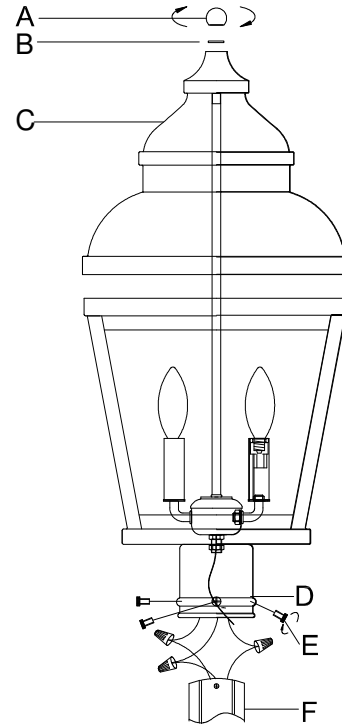
## CONNECTING THE WIRES (Fig. 2)

4. Connect electrical wires while supporting the lantern. If your post has a ground wire (green or bare copper), connect the fixture ground wire to it. If not, consult your electrician for proper grounding. After wires are connected, tuck them carefully inside the post cup (D).

## COMPLETING THE INSTALLATION (Fig. 1)

5. Align the lantern with post (F) and secure with screws (E). (Fig. 1&2)
6. Remove finial (A), rubber washer (B) and top cover (C) to install the light bulbs 4\*60W/E12 bulbs (not included) in accordance with the fixtures specification **DO NOT EXCEED MAXIMUM WATTAGE RATING. (NE PAS DEPASSER LA PUISSANCE NOMINALE MAXIMALE!)**
7. Replace the top cover (C) followed by rubber washer (B) and secure with finial (A).

Fig. 1



Your installation is now complete. Return power and test fixture.

**“CAUTION-RISK OF FIRE, CONSULT A QUALIFIED ELECTRICIAN TO ENSURE CORRECT BRANCH CIRCUIT CONDUCTOR”**

**ATTENTION – RISQUE D’INCENDIE, CONSULTER UN ÉLECTRICIEN QUALIFIÉ POUR VOUS ASSURER QUE LES CONDUCTEURS DE LA DÉRIVATION SONT ADÉQUATS.**

