

INSTALLATION INSTRUCTIONS

Item#8883-A39/A61 (Rev. 06/29/2011)

READ AND SAVE THESE INSTRUCTIONS

WARNING! SHUT POWER OFF AT FUSE OR CIRCUIT BREAKER.

PREPARATION (Fig. 1)

1. Shut off power at the circuit breaker and remove the old fixture including mounting hardware.
2. Carefully unpack your new fixture and lay out all the parts on a clear area. Take care not to lose any small parts necessary for installation.
3. Remove finial (H) from the fixture. Secure the scrolled end of arm (F) to the top of the fixture with finial (E). Next, secure the straight end of arm (F) to the back plate (P) using knurled knobs (G) (with allthread nipple attached) key washers (I) and hex nuts (J).
4. Replace finial (H), previously removed.
5. Mount the reinforcement plate (K) to the junction box with screws (M) For additional stability on large fixtures, use the 4 screws and plastic anchors (L & N) provided. The side of the plate marked "GND" must face out. (Fig. 1)

CONNECTING THE WIRES (Fig. 2)

6. Connect the electrical wire as shown in figure 2, making sure that all wire connectors are secured. If your outlet has a ground wire (green or bare copper), connect the fixture ground wire to it. Otherwise, connect the fixture ground wire directly to the reinforcement plate using the green screw provided. After wires are connected, tuck them carefully inside the outlet box.

COMPLETING THE INSTALLATION

7. Align the fixture to the mounting screws on the reinforcement plate (K) and secure fixture with knurled knobs (O). (Fig.1)
8. To prevent moisture from entering the outlet box and causing a short, use clear caulking (i.e. Indoor/Outdoor Silicone Sealant) to outline the outside of fixture back plate where it meets the wall leaving a space at bottom to allow moisture a means to escape. (Fig. 3)
9. Remove the bottom finial (A), lock washer (B), tube (R), and metal leaf (Q). Remove bottom cover (C). Remove any plastic bag material from the socket cluster. Install B10.5 5*60W bulbs in accordance with the fixture's specification. **(DO NOT EXCEED THE SPECIFIED WATTAGE!)** Replace the bottom cover (C) and secure with the metal leaf (Q) tube (R), lock washer (B) and finial (A).

Your installation is now complete. Return power to the junction box and test the fixture.

Note: Illustration (Fig. 1) on this manual is for installation purposes only. It may or may not be identical to the fixture purchased.

"U.S. Patents; D461,593;D465,604

This product is protected by United States Federal and/or State Law, including Patent and/or Copyright laws."

© Minka Lighting Inc.

Fig. 1

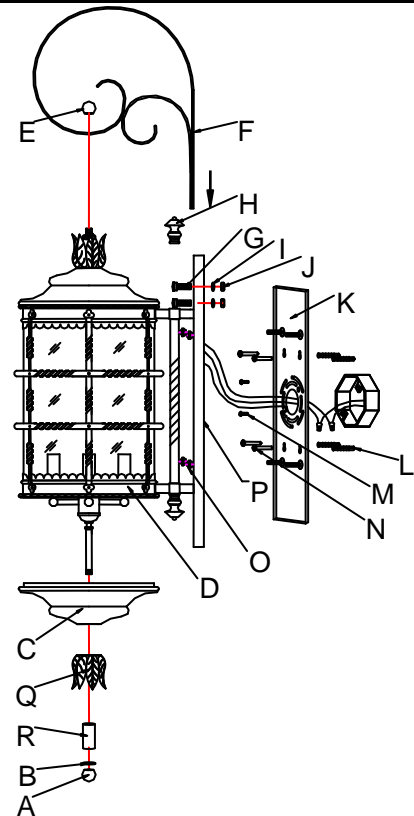


Fig. 2

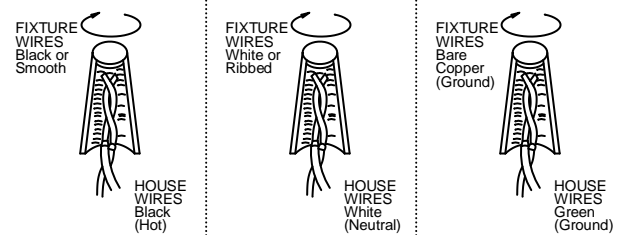
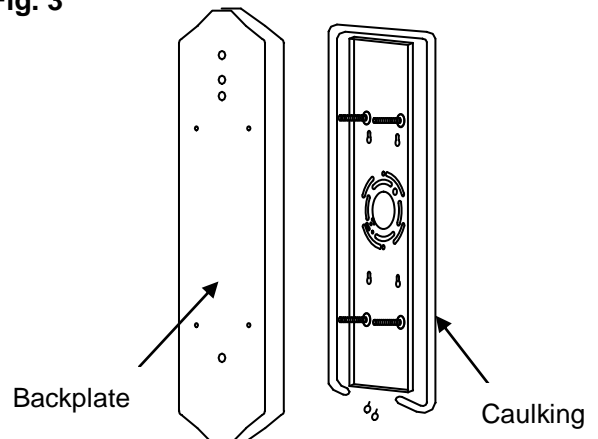


Fig. 3



LA-2062E

