

INSTALLATION INSTRUCTIONS

Model # 8849/8999/8759

READ AND SAVE THESE INSTRUCTIONS

WARNING! SHUT POWER OFF AT FUSE OR CIRCUIT BREAKER.

AVERTISSEMENT! COUPER LE COURANT AU NIVEAU DES FUSIBLES OU DU DISJONCTEUR.

PREPARING FOR INSTALLATION (Fig. 1)

1. Shut off power at the circuit breaker and remove the old fixture including the mounting hardware.
2. Carefully unpack your new fixture and lay out all the parts in a clear area. Take care not to misplace any small parts necessary for installation.
3. Unscrew screws (J) and remove the cage (I).
4. Thread the two studs (B) into the pre-drilled holes in the crossbar (E) spaced the same distance apart as the holes in the canopy (G) and secure nuts (C). The length of studs (B) into crossbar (E) may be adjusted if necessary.
5. Attach crossbar (E) using outlet box screws (D) to the outlet box (A) (Fig 1).

CONNECTING THE WIRES (Fig. 2)

6. Connect the electrical wires as shown in Fig.2. making sure that all wire connectors are secured. If your outlet box has a ground wire (green or bare copper), connect the fixture's ground wire to it. Otherwise, connect the fixture's ground wire directly to the single bar using the green screw (F) provided.

COMPLETING THE INSTALLATION (Fig. 1)

7. Align canopy (G) onto studs (B) and secure with cap nuts (H). (Fig 1)
8. Install the light bulb in accordance with the fixture specification –**DO NOT EXCEED THE MAXIMUM WATTAGE RATING! (NE PAS DEPASSER LA PUISSANCE NOMINALE MAXIMALE!)**
9. Place finial (M) into cage (I) and secure with washer (L) and hex nut (K) inside of cage (I).
10. Align cage (I) to canopy (G) and secure with screws (J).

Your installation is now complete. Return power to the outlet box and test the fixture.

Fig. 1

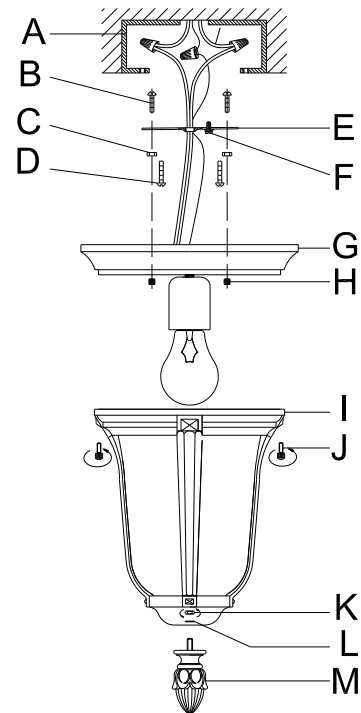
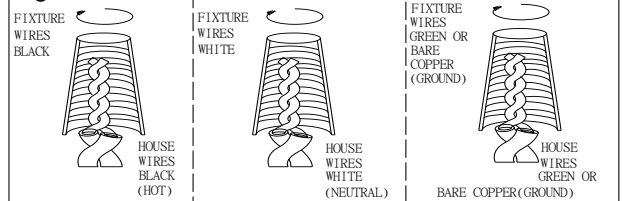


Fig.2



“CAUTION-RISK OF FIRE CONSULT A QUALIFIED ELECTRICIAN TO ENSURE CORRECT BRANCH CIRCUIT CONDUCTOR”

ATTENTION – RISQUE D’INCENDIE, CONSULTER UN ÉLECTRICIEN QUALIFIÉ POUR VOUS ASSURER QUE LES CONDUCTEURS DE LA DÉRIVATION SONT ADÉQUATS.