

INSTALLATION INSTRUCTIONS

Model # 9016

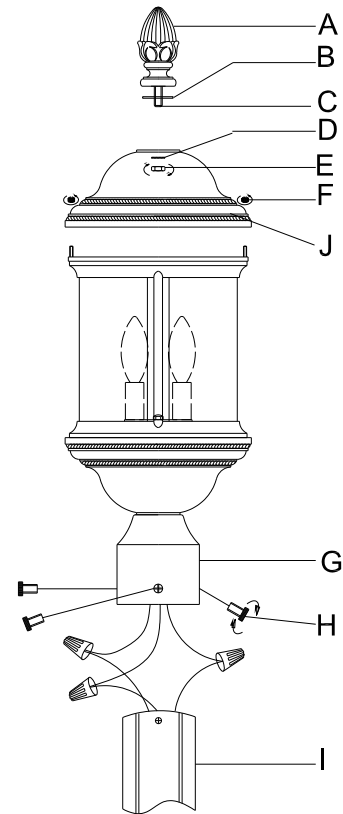
READ AND SAVE THESE INSTRUCTIONS

WARNING! SHUT POWER OFF AT FUSE OR CIRCUIT BREAKER.

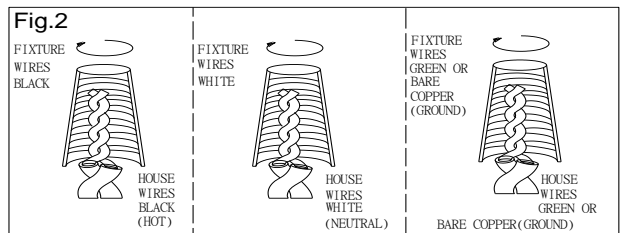
AVERTISSEMENT! COUPER LE COURANT AU NIVEAU DES FUSIBLES OU DU DISJONCTEUR.

1. Shut off power at the circuit breaker and remove old fixture including mounting hardware.
2. Carefully unpack your new fixture and lay out all the parts in a clear area. Take care not to misplace any small parts necessary for installation.
3. Unscrew the cap nut (F) then move the top cover (J), insert the nipple(C) with the rubber (B) and the finial (A) into the top cover (J), have the key washer (D) through the nipple (C) with the hex nut (E) tightly inside the top cover (J) (Fig.1).
4. Pull black, white and ground wires out of post (I).
5. Connect electrical wires while supporting the lantern. If your post has a ground wire (green or bare copper), connect the fixture ground wire to it. If not, consult your electrician for proper grounding. After wires are connected, tuck them carefully inside the post cup (G). Align the lantern with post (I) and secure with sheet metal screws (H). (Fig.1&2)
6. At this point, install 3*60W/E12/B bulb (no bulb included) in accordance with the fixture specification— **DO NOT EXCEED THE MAXIMUM WATTAGE RATING! (NE PAS DEPASSER LA PUISSANCE NOMINALE MAXIMALE!)**
7. Replace the top cover (J) and secure with cap nut (F).

Fig. 1



Your installation is now complete. Return power to and test the fixture.



“CAUTION-RISK OF FIRE CONSULT A QUALIFIED ELECTRICIAN TO ENSURE CORRECT BRANCH CIRCUIT CONDUCTOR”

ATTENTION – RISQUE D’INCENDIE, CONSULTER UN ÉLECTRICIEN QUALIFIÉ POUR VOUS ASSURER QUE LES CONDUCTEURS DE LA DÉRIVATION SONT ADÉQUATS.



U.S. Patent: D438,324
This product is protected by United States Federal and/or State Law, including Patent and/or Copyright laws.