

INSTALLATION INSTRUCTIONS

Model #9316

READ AND SAVE THESE INSTRUCTIONS

WARNING! SHUT POWER OFF AT FUSE OR CIRCUIT BREAKER.

AVERTISSEMENT! COUPER LE COURANT AU NIVEAU DES FUSIBLES OU DU DISJONCTEUR.

PREPARING FOR INSTALLATION (Fig. 1)

1. Shut off the power at the fuse box or circuit breaker box (avertissement! couper le courant au niveau des fusibles ou du disjoncteur) and remove the old fixture, including the mounting hardware.
2. Carefully unpack your new fixture and lay out all the parts in a clear area. Take care not to misplace any small parts necessary for installation.
3. Pull the black, white and ground wires out of post (J).

CONNECTING THE WIRES (Fig. 2)

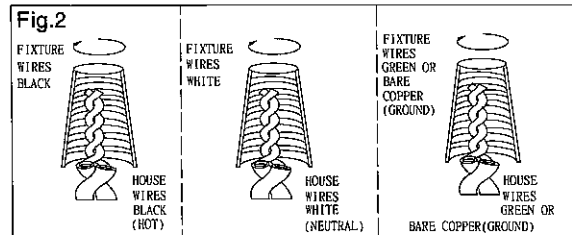
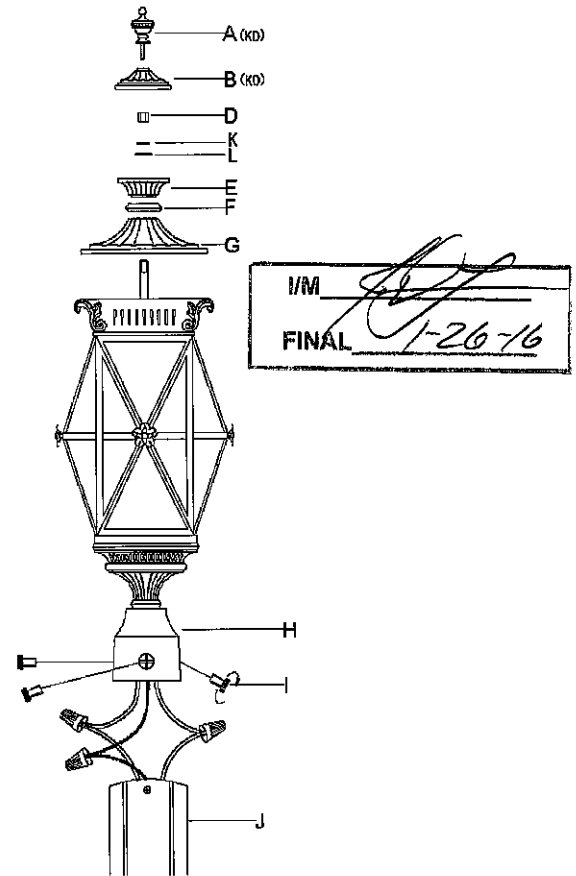
4. Connect electrical wires while supporting the lantern. If your post has a ground wire (green or bare copper), connect the fixture ground wire to it. If not, consult your electrician for proper grounding. (Fig.2)

COMPLETING THE INSTALLATION (Fig. 1)

5. Align the lantern (H) with post (J) and secure with screws (I). (Fig.1)
6. At this point, unscrew coupling (D), lock washer (K), rubber washer (L), cup (E), cup (F), roof (G) to install 4*40W/E12/B bulb (no bulb included) in accordance with the fixture specification –**DO NOT EXCEED THE MAXIMUM WATTAGE RATING! (NE PAS DEPASSER LA PUISSANCE NOMINALE MAXIMALE!)**
7. Replace the roof (G), cup (F), cup (E), rubber washer (L) lock washer (K), coupling (D), cup (B) and secure with finial (A).

Your installation is now complete. Return power and test the fixture.

Fig. 1



“CAUTION-RISK OF FIRE CONSULT A QUALIFIED ELECTRICIAN TO ENSURE CORRECT BRANCH CIRCUIT CONDUCTOR”

ATTENTION – RISQUE D'INCENDIE, CONSULTER UN ÉLECTRICIEN QUALIFIÉ POUR VOUS ASSURER QUE LES CONDUCTEURS DE LA DÉRIVATION SONT ADÉQUATS.



This product is protected by United States Federal and/or State Law, including Patent and/or Copyright laws. © Minka Lighting Inc.