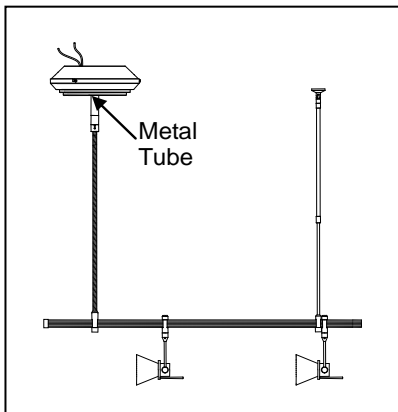


Installing and Shortening Power Feed: GKPF0248 & GKPF0296

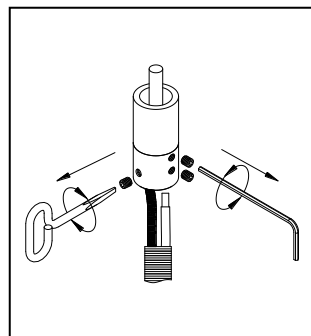
The power feed GKPF0248 & GKPF0296 use for 150/300 Watt transformer, also uses the quick adapter to attach to the rail. To shorten a power feed fixture the quick connect adapter can be removed from the wire, Follow the step-by-step instructions following.



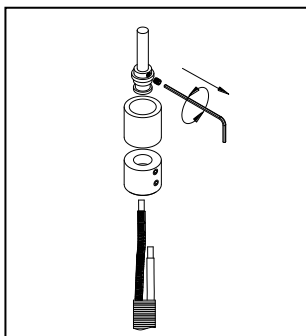
Install the Power feed GKPF0248 & GKPF0296

1. This power feed use for the 150/300 Watt transformer.
2. Attach the canopy/transformer as instructed.
3. Measure desired length for the adjustable power feed.
4. Follow the instructions below to shorten the power feed.
5. Slide the proper metal tube (included) upward over the stem.
6. Attach the power feed to canopy removing the cap from the stem and screwing on power feed.
7. Attach the bottom connector to the rail.

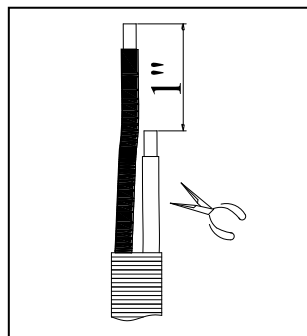
Shortening Power Feed GKPF0248 & GKPF0296 as following:



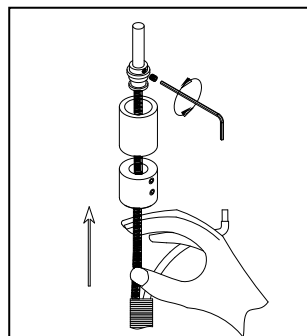
1. Remove the three set screws and pull white wire free.



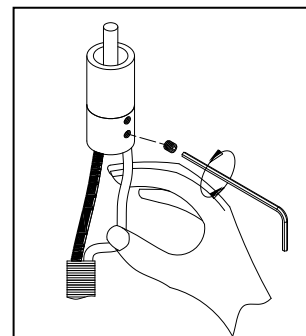
2. Back out the upper set-screw, then withdraw black cable.



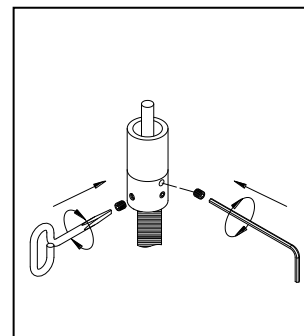
3. Using the a wire cutter cut wire to desired length, and the black wire need to be 3/4" longer than white wire.



4. Push black wire through the top exposing the entire copper connector. Make sure that you can see the wire through the set screw hole. Then secure upper screw. Gently tug on wire to confirm that set screw is secure to wire.



5. Secure lower set-Screw and make sure it makes contact with the wire inside. Then secure upper set-screw.



6. Secure upper set-screw firstly. Then push spring up and secure the side screw to make sure spring is fixed.