

**BE SURE TO FOLLOW ALL STEPS IN THE ORDER GIVEN.
BE SURE POWER IS OFF AT FUSE, OR CIRCUIT BREAKER BOX.**

Attention: The Energy Policy Act of 2005 requires this light kit to be equipped with a 190 watt limiting device. If lamping exceeds 190 watts, the ceiling fan's light kit will shut off automatically.

CAUTION: Before starting installation, disconnect the power by turning off the circuit breaker or removing the fuse at fuse box.

1. Remove the switch housing cover from the switch housing.
2. Remove the plug from the bottom of the switch housing cover and discard it. Feed wires from light kit through the hole on the switch housing cover and screw light kit. Secure with washer and hex nut provided. Make sure is securely tighten to prevent it from vibrating loose. (Fig. 1)
3. Make the wire connections; Connect the white and black wires from the light kit to the white and blue wires from the switch housing labeled "FOR LIGHT". Connect the white wire to the white wire and the black wire to the blue wire. (Fig. 1)
4. Re-attach the switch housing cover with light kit attached to the switch housing and secure with the screws previously removed. (Fig. 1)
5. Install 3 candelabra bulbs (Max. 60W) (included). DO NOT EXCEED MAXIMUM WATTAGE RATING. (Fig. 1)

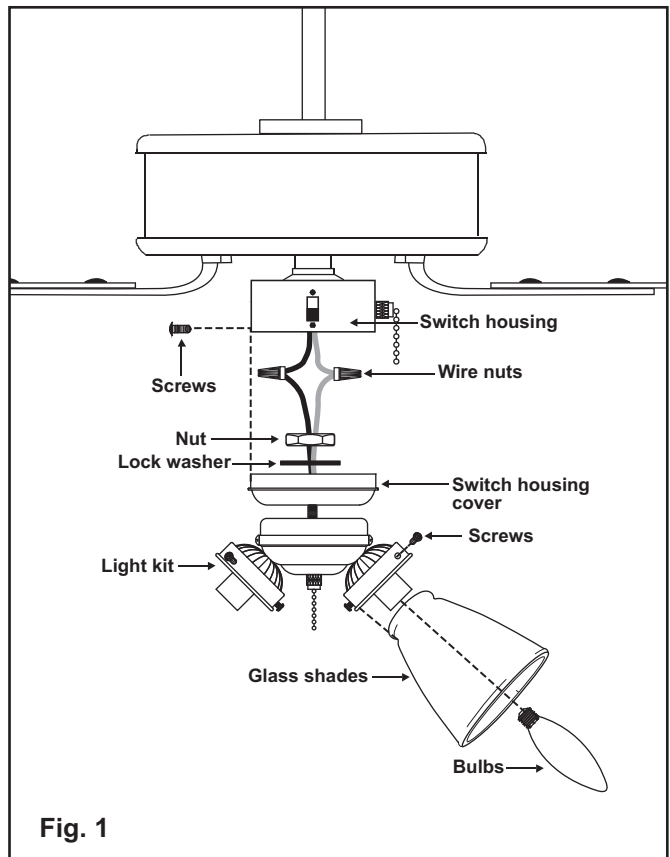


Fig. 1

Note: Lamping in excess of 190 Watt will disable your light kit. To reset your light kit you must turn the power off and re-lamp keeping the wattage under 190 watts.

6. Mount the glass shades to the light fixture by unscrewing partway the thumb screws on the glass holders, inserting the glass, then gently tightening the thumb screws by hand evenly to the glass. DO NOT OVER TIGHTEN. (Fig. 1)

CAUTION: To reduce The Risk Of Fire And Electric Shock, This Light Kit Should Be Used Only With The Fan Models Listed Below:

Models: AC-542/AC-552/AC-652/AC-742.

Manufactured By Air Cool Industrial Co, Ltd.

Approximate maximum weight: 0.88 lbs

Manual design and all elements of manual design are protected by U.S. Federal and/or State Law, including Patent, Trademark and/or Copyright laws.

