

**BE SURE TO FOLLOW ALL STEPS IN THE ORDER GIVEN.
BE SURE POWER IS OFF AT FUSE, OR CIRCUIT BREAKER BOX.**

Attention: The Energy Policy Act of 2005 requires this fan to be equipped with a 190 watt limiting device. If lamping exceeds 190 watts, the ceiling fan's light kit will shut off automatically.

CAUTION: Before starting installation, disconnect the power by turning off the circuit breaker or removing the fuse at fuse box.

1. Remove the screws from the switch cup plate to allow easy wiring.(Fig. 1)
2. Remove and discard the center plug from the switch cup. Attach the light kit to the switch cup by feeding the wires and threading the light kit through the hole of the switch cup, secure it to the switch cup using the nut and lock washer. Be sure it is tight enough to prevent the light kit from vibrating loose. (Fig. 1)
3. Make the wire connections as follows and secure with the wire nuts provided:
 - Connect white wire from switch cup to white wire from light kit
 - Connect blue wire from switch cup to black from light kit
4. While holding the switch cup, slide the switch cup up against the plate and align the screw holes. Secure the switch cup to the plate using the screws removed earlier. (Fig. 2)

CAUTION:Make sure that the wires are not pinched between the switch cup and the switch cup plate.

5. Install 2×13wGU24 bulbs (Included). DO NOT EXCEED MAXIMUM WATTAGE RATING. The color correlated Temperature (CCT) for replacing the enclosed lamp is (2700K). The ballast in each of these models can be replaced by a qualified electrician without cutting of wires and without damage to the housing, trim, decorative elements or carpentry to which the fixture is attached. See installation steps for more detail.
6. Remove the rubber washer,metal washer, metal nut, glass cap and decorative nut from the light kit. Place glass shade over the light kit stem, secure with the rubber washer,metal washer,metal nut, glass cap and decorative nut.Do not overtighten.(Fig. 3)

Note: Make sure to leave enough space between the fan pull chain and the bulbs so the chain doesn't rub against any of the bulbs.

CAUTION: To reduce The Risk Of Fire And Electric Shock, This Light Kit Should Be Used Only With The Fan Models Listed Below:Models: F513

Note: " This light kit does not have a dimmable function."
Manufactured By Summer Wind International Limited.

Approximate maximum weight: K9380- 3.19 Lbs.
This Ceiling fan Light Kit Fixture is covered by a Limited 2 year Warranty from the Manufacturer, effective from the date of purchase. This fixture is warranted against defects in the quality of the housing, trims, diffuser, shades, and electrical components. Fixture finishes and/or lamps (bulbs) are expressly excluded from this warranty; refer to bulb manufacturer for lamp warranty.

This product is protected by United States Federal and/or State Law, including Patent, Trademark and/or Copyright laws.

Manual design and all elements of manual design are protected by U.S. Federal and/or State Law, including Patent, Trademark and/or Copyright laws.

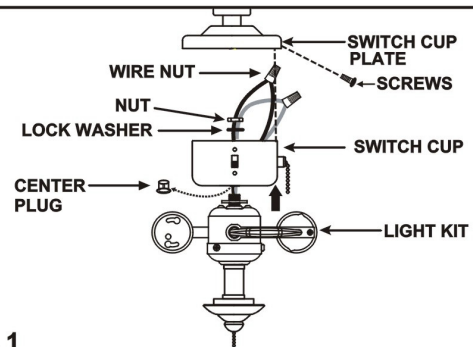


Fig. 1

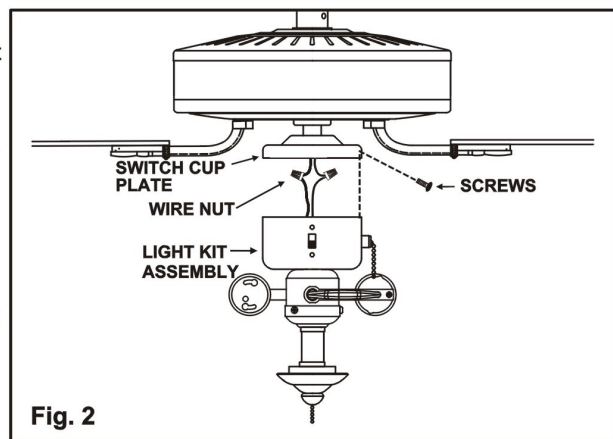


Fig. 2

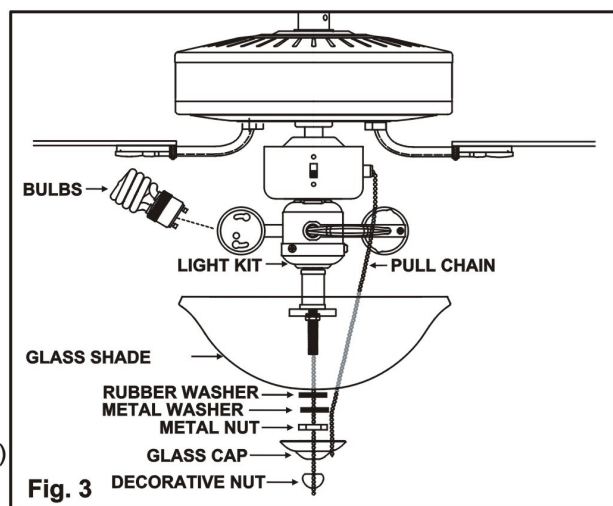


Fig. 3

