

INSTALLATION INSTRUCTIONS

Item# N1889-788

READ AND SAVE THESE INSTRUCTIONS

WARNING! SHUT POWER OFF AT FUSE OR CIRCUIT BREAKER.
VERTISEMENT! COUPER LE COURANT AU NIVEAU DES FUSIBLES OU DU DISJONCTEUR.

ASSEMBLING THE FIXTURE (Fig. 1)

1. Shut off power at the fuse box or circuit breaker box and remove the old fixture including the mounting hardware.
2. Carefully unpack your new fixture and lay out all the parts in a clean area. Ensure not to misplace any small parts necessary for installation.
3. Thread the center rod (S) onto coupler (1), and slip all thread (N) along with wires onto stem reducer (M). Then thread loop (K) onto coupler (L).

HANGING THE FIXTURE (Fig. 2)

4. Install a 1/4" IPS pipe "Not provided" with one end securely mounted to a beam of a structural member. The other end should protrude through the center of the outlet box as shown. Thread hickey (A) on the 1/4" IPS pipe and tighten with hex nut (C).
5. Secure the hex nut (C) and washer (B) onto all thread (D), then thread all thread (D) into hickey (A), and secure with hex nut (C) and washer (B) on the other end of all thread (D).
6. Thread ceiling loop (E) onto all thread (D) tightly. Note: The length of the all thread maybe adjusted if necessary.
7. Determine the desired hanging height and discard excess chain.
8. Open one end of quick link (H) and attach to both end of chain (I).
9. Slip collar ring (G) and canopy (F) over chain (I) with quick link (H) and hook onto loops (K) then allow canopy (F) to rest in top of fixture loop (K) then thread 2x quick link (H) and closed to secure. Feed the fixture wires and safety cable through the chain (I), ceiling loop (E) and all thread (D) and allow them to exit through the side holes of hickey (A).
10. Loop safety cable through hickey (A) and secure safety cable with set screw assembly and set screw.

CONNECTING THE WIRE (Fig. 4)

11. Connect the electrical wire as shown in Fig. 4, making sure that all the wire connectors are secured. If your junction box has a ground wire (green, or bare copper), connect fixture's ground wire to it. Otherwise connect fixture's ground wire directly to Hickey (A) using green screw provided.
12. Tuck wire connections neatly into junction box (JB).
13. Raise canopy (F) over ceiling loop (E) and secure with collar ring (G).

ACCESSORIES INSTALLATION (Fig. 3)

14. Attached the 4-stem hook (Q) to brass loop (P) and plate hanger (R). Then place the plate hanger (R) to brass loop (P).
15. To begin installing the accessories unwrap the alabaster stone panel and alabaster disc from their packing. Arrange them according to their shape.
16. There are 3 different shape of alabaster as shown in Fig. 3.
17. To begin installing the alabaster, push the center stem (S) to the side and place alabaster disc (AB-144) in sideways. Then proceed with alabaster stone panel (AB-214) and lastly with the alabaster stone panel (AB-209).

FINISHING THE FIXTURE (Fig. 1)

18. Install the 12x E12 base light bulbs (LB) up to 60 watts each or CFL or LED equivalent (Not included) in accordance with the fixture specification.

DO NOT EXCEED THE MAXIMUM WATTAGE RATING!
(NE PAS DEPASSER LA PUISSANCE NOMINALE MAXIMALE!)

Your installation is now complete. You can now turn the power ON and test the fixture.

Note: Illustration (Fig. 1) on this manual is for installation purposes only. It may or may not be identical to the fixture purchased.

Warning: This luminaire must be mounted or supported independently of an outlet box



Notice: It is important to use proper chain pliers (not included) to OPEN and CLOSE the chain included with this fixture. Do not open them with other tools that may twist or stress the chain links. It is important to use proper chain pliers like the ones shown in the diagram.

FIG. 1

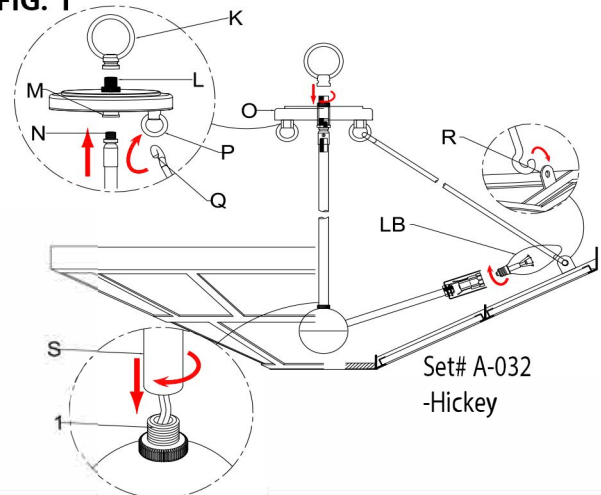
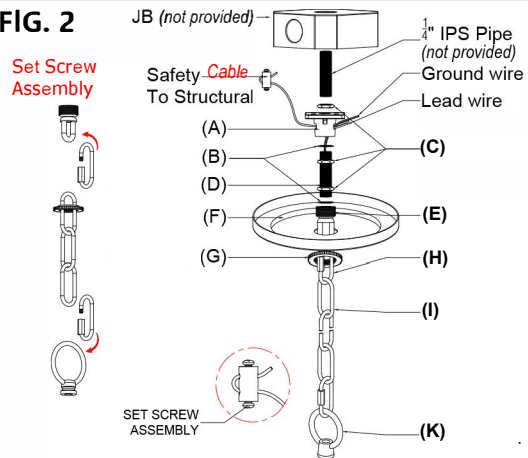


FIG. 2



HCH4072-788

FIG. 3

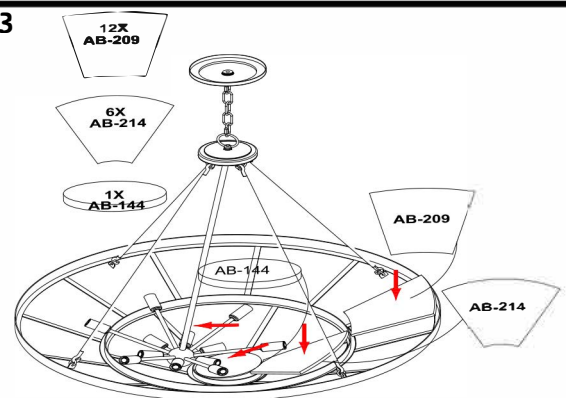


FIG. 4

