

INSTALLATION INSTRUCTIONS

Item# N1912-759

READ AND SAVE THESE INSTRUCTIONS

WARNING! SHUT POWER OFF AT FUSE OR CIRCUIT BREAKER.
VERTISEMENT! COUPER LE COURANT AU NIVEAU DES FUSIBLES OU DU DISJONCTEUR.

PREPARATION (Fig.1)

1. Shut off power at the fuse box or circuit breaker box and remove the old fixture including the mounting hardware.
2. Carefully unpack your new fixture and lay out all the parts in a clean area. Take care not to misplace any small parts necessary for installation.

MOUNTING THE FIXTURE

3. To begin, it will be necessary to remove mounting plate (A) from back plate (E) by removing ball nuts (D) located on front of the back plate (E). Make sure the holes into which screws are threaded match spacing of holes (F) in back plate (E).
4. Attach mounting plate (A) to junction box (JB) "not provided" with junction box screws (B). The side of mounting plate (A) with "GND" marked on it and two convex points must face out.

CONNECTING THE WIRES (Fig. 3)

5. Connect the electrical wire as shown in Fig.3, make sure that all the wire connectors are secured. If your junction box has a ground wire (green, or bare copper), connect fixture's ground wire to it. Otherwise connect fixture ground wire directly to mounting plate (A) using green screw provided.
6. Tuck wire connections neatly into junction box (JB).

FINISHING THE FIXTURE (Fig. 1)

7. To mount the fixture to wall, first slip the two mounting screws (C) through mounting holes (F) on the back plate (E).
8. While holding fixture in place, thread two ball nuts (D) at the end of mounting screws (C) and tighten.
9. You can now install the alabaster with wood bead strands but before that, install the 2x E12 base light bulbs (LB) up to 60 watts each or CFL or LED equivalent (not included) in accordance with the fixture specification.

ACCESSORIES INSTALLATION (Fig. 1 & 2)

10. To begin installing the accessories, unwrap alabaster strands from their packing, and arrange them according to size or length.
11. There are four different lengths of alabaster strands.
12. All alabaster strands have a hook on one end. Just take the hook at end of the strand and hook it through one of the holes on frame.
13. It would be easier to install in this order: A4,A3,A2 and A1

DO NOT EXCEED THE MAXIMUM WATTAGE RATING!
(NE PAS DEPASSER LA PUISSANCE NOMINALE MAXIMALE!)

Your installation is now complete. You can now turn the power ON and test the fixture.

Note: Illustration (Fig. 1) on this manual is for installation purposes only. It may or may not be identical to the fixture purchased.

MIN 75°C SUPPLY CONDUCTORS

LES FILS D' ALIMENTATION 75°C MIN.

Fig.1

Set# A-020

- Mounting plate
- Ground Screw
- Mounting Screw *2

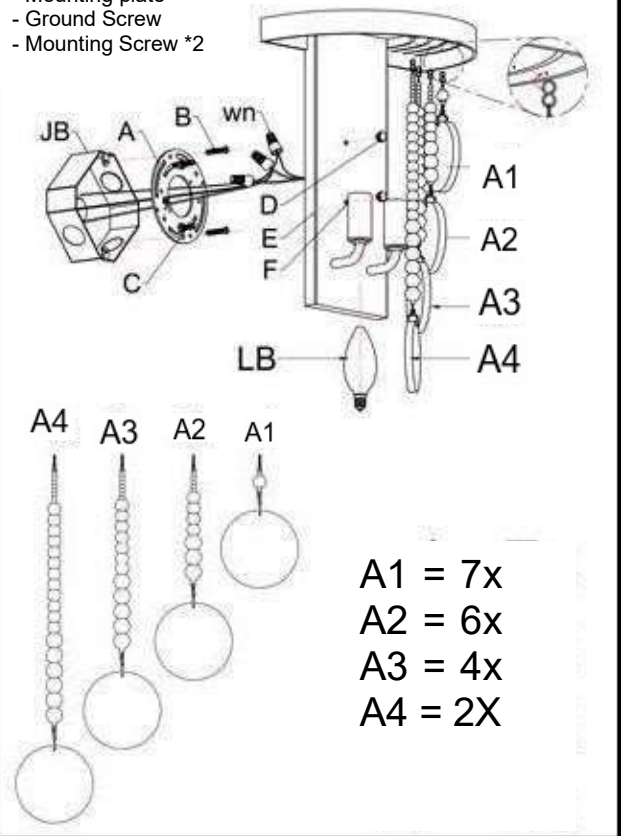


Fig.2

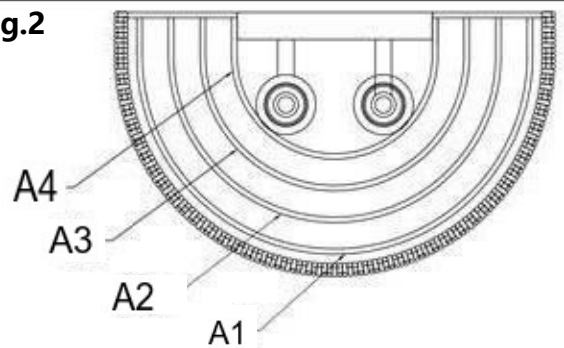


Fig.3

