

INSTALLATION INSTRUCTIONS

Item #N2584/N2586/N2588-272 (04/23/2014)

READ AND SAVE THESE INSTRUCTIONS

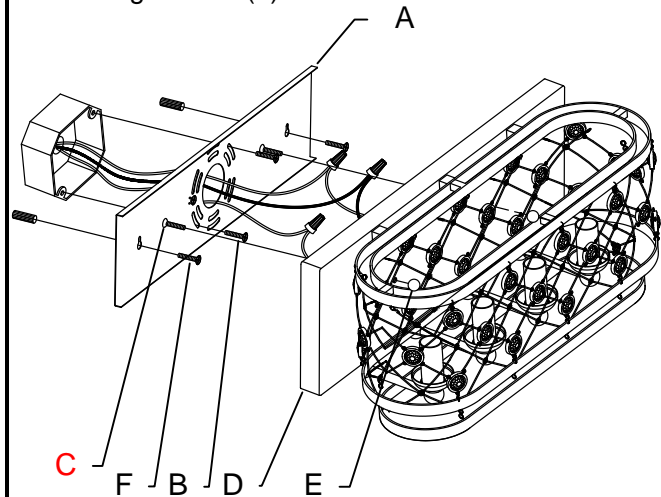
**WARNING! SHUT POWER OFF AT FUSE OR CIRCUIT BREAKER.
AVERTISSEMENT! COUPER LE COURANT AU NIVEAU DES FUSIBLES OU DU DISJONCTEUR.**

MOUNTING THE FIXTURE (Fig.1)

1. Shut off the power at the fuse box or circuit breaker. If necessary, remove the old fixture including the mounting hardware.
2. Carefully remove the new fixture from the carton and check that all parts are included as shown in the illustration.
3. Position mounting plate (A) on the wall and mark the location of the plastic anchors. Remove the mounting plate (A) and pre-drill the holes for the anchors. Then insert the anchors into the wall.
4. Thread the two mounting screws (C) half way into the pre-drilled holes in the mounting plate (A) spaced the same distance apart as the holes in the fixture back plate (D).
5. Attach mounting plate (A) to the outlet box using mounting screws (B) (Size: #8-32*1.25L). The side of the mounting plate marked "GND" must face out.
6. Place the screws (F) through the holes of the mounting plate (A) and into the plastic anchors to secure the mounting plate (A) to the wall.

Fig.1

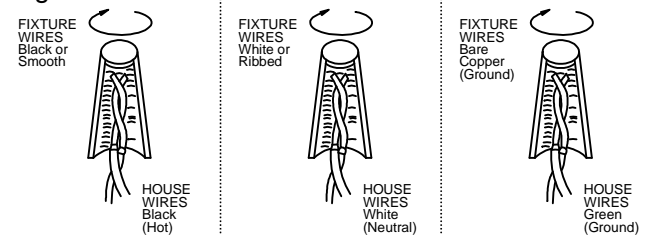
Set A-020
-Mounting plate
-Ground screw
-Mounting screws (2)



CONNECTING THE WIRES (Fig. 2)

5. At this point, connect the electrical wires as shown in Fig. 2, making sure that all wire connectors are secured. If your outlet box has a ground wire (green or bare copper), connect the fixture's ground wire to it. Otherwise, connect the fixture's ground wire directly to the mounting plate (A) using the green screw provided. After the wires are connected, tuck them carefully inside the outlet box.

Fig.2



FINISHING THE INSTALLATION (Fig.1)

6. Place fixture back plate (D) over the mounting screws (C) and secure with ball nuts (E).
7. Install the bulb(s) (not included) in accordance with the fixture's specifications. **(DO NOT EXCEED THE MAXIMUM WATTAGE RATING!) (NE PAS DEPASSER LA PUISSANCE NOMINALE MAXIMALE!)**

Your installation is now complete. Return power to the outlet box and test the fixture.

Note: The illustration in Fig.1 is for installation purposes only. It may or may not be identical to the fixture purchased. Do not clean your light fixture or parts with water or cleaning solution.



CAUTION – RISK OF FIRE. CONSULT A QUALIFIED ELECTRICIAN TO ENSURE CORRECT BRANCH CIRCUIT CONDUCTOR. MIN 75°C SUPPLY CONDUCTORS.