

# INSTALLATION INSTRUCTIONS

Item #N2955-1 (Rev. 11/25/2015)

READ AND SAVE THESE INSTRUCTIONS

**WARNING! SHUT POWER OFF AT FUSE OR CIRCUIT BREAKER.**

**AVERTISSEMENT! COUPER LE COURANT AU NIVEAU DES FUSIBLES OU DU DISJONCTEUR.**

## MOUNTING THE FIXTURE (Fig. 1)

1. Shut off power at the circuit breaker and remove old fixture from wall, including the mounting hardware.
2. Carefully unpack your new fixture and lay out all the parts on a clear area. Take care not to lose any small parts necessary for installation.
3. Position Reinforcement Plate (A) on the wall, and mark location of two mounting holes. Drill the hole on the wall, Insert the Plastic Anchor (H) into the wall.
4. Attach the Reinforcement Plate (A) to the Outlet box in the wall using the two screws (B). The side of the Reinforcement plate marked "GND" must face out.
5. Place the Screw (G) through the keyhole into the Plastic Anchor (H) secure the Reinforcement Plate (A).

## CONNECTING THE WIRES (Fig. 2)

6. Connect the electrical wires as shown in Fig. 2, making sure that all wire connectors are secured. If your outlet has a ground wire (green or bare copper), connect the fixture's Ground Wire to it. Otherwise, connect the fixture's Ground Wire directly to the Reinforcement Plate using the Green Screw provided. After wires are connected, tuck them carefully into the outlet box.

## FINISHING THE INSTALLATION (Fig. 1)

7. Place Back Plate (D) over the Studs (K) on the Reinforcement Plate (A) so the Stud protrudes through the holes. Holding the back plate in place, place the Cap Nut (I) onto the end of the Studs until back plate is secure to the wall.
8. Install bulbs (not included) into socket in accordance with the fixture's specifications. **(DO NOT EXCEED THE MAXIMUM WATTAGE RATING!) (NE PAS DEPASSER LA PUISSANCE NOMINALE MAXIMALE!).**
9. Place the Glass Shade (F) into the Metal Frame (J), align holes on the Metal Frame to the Back Plate (D) and secure them with Screws (C) by using Allen Wrench (E) provided.

Your installation is now complete. Return power to the outlet box and test the fixture.

**Note:** Illustration (Fig. 1) on this manual is for installation purposes only. It may or may not be identical to the fixture purchased.

Fig. 1

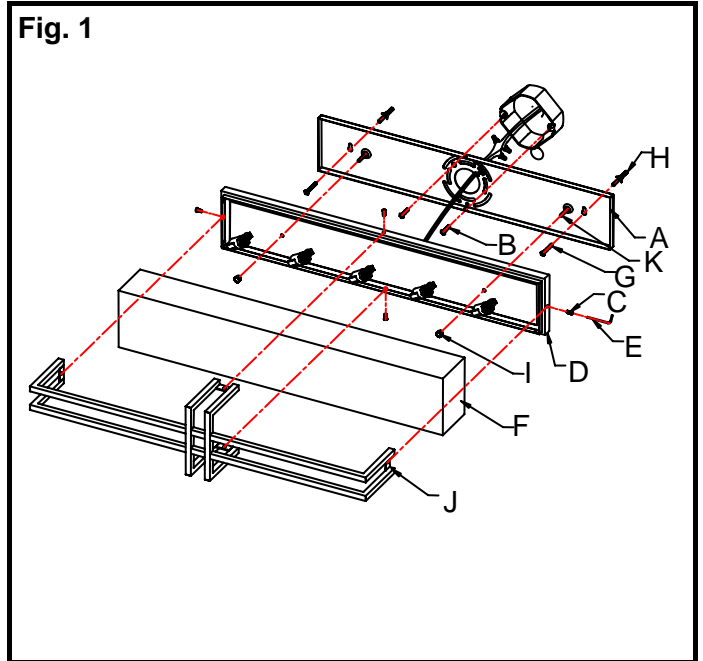


Fig. 2

