

# INSTALLATION INSTRUCTIONS

Item #N6267-613 (New. 12/31/2011)

## READ AND SAVE THESE INSTRUCTIONS

**WARNING! SHUT POWER OFF AT FUSE OR CIRCUIT BREAKER.**

**AVERTISSEMENT! COUPER LE COURANT AU NIVEAU DES FUSIBLES OU DU DISJONCTEUR.**

### ASSEMBLING THE FIXTURE (Fig.1)

1. Shut off the power at the fuse box or circuit breaker. If necessary, remove the old fixture, including the mounting hardware.
2. Carefully unpack the new fixture and lay out all the parts on a clear area. Take care not to lose any parts necessary for installation.
3. Determine desired hanging height and thread rods (A&G) to the metal frame (H), then thread the fixture loop to the rods (A&G).

### HANGING THE FIXTURE (Fig. 2)

**NOTE:** For a safe and secure installation, these fixtures must be installed by means of support that is independent of the outlet box.

(Note – For heavy fixtures hickey and cable lock are provided, other required hardware to be supplied by installer)

#### SUGGESTED INSTALLATION:

4. Provide a 1/4 IPS pipe with one end securely mounted to a beam or a structural member. The other end should protrude through the center of the outlet box as shown.
5. Assemble the ceiling loop, nipple and hickey to center 1/4 IPS support pipe and adjust overall length to allow the ring to hold the canopy flush to the ceiling. When the adjustments have been completed, secure the three nuts, as shown.
6. Open the quick link, attach the quick link to fixture loop, slip the lock collar and canopy over the quick link, then attach the quick link to ceiling loop, close the quick link.
7. Lace the fixture wires, ground and safety cable through the chain and loop, exiting through the side of hickey. Run cable through the top of the outlet box and secure to strain relief bushing.

### CONNECTING THE WIRES (Fig. 3)

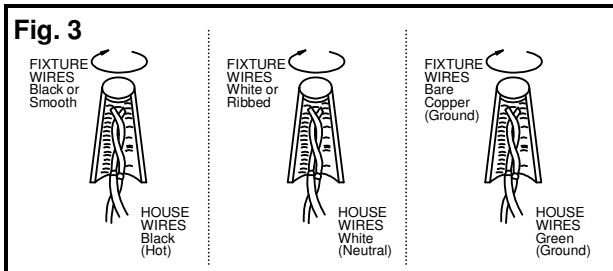
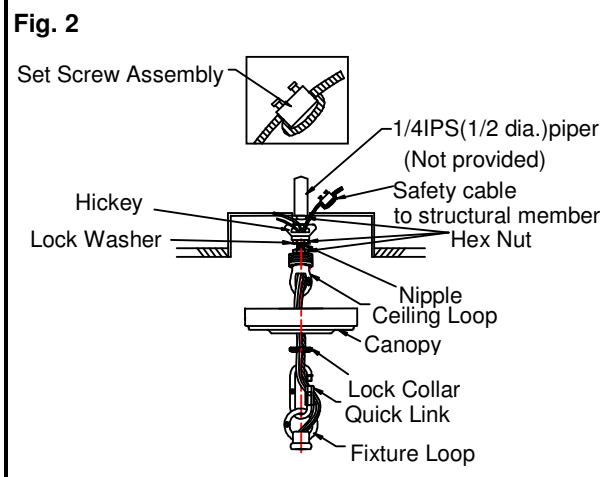
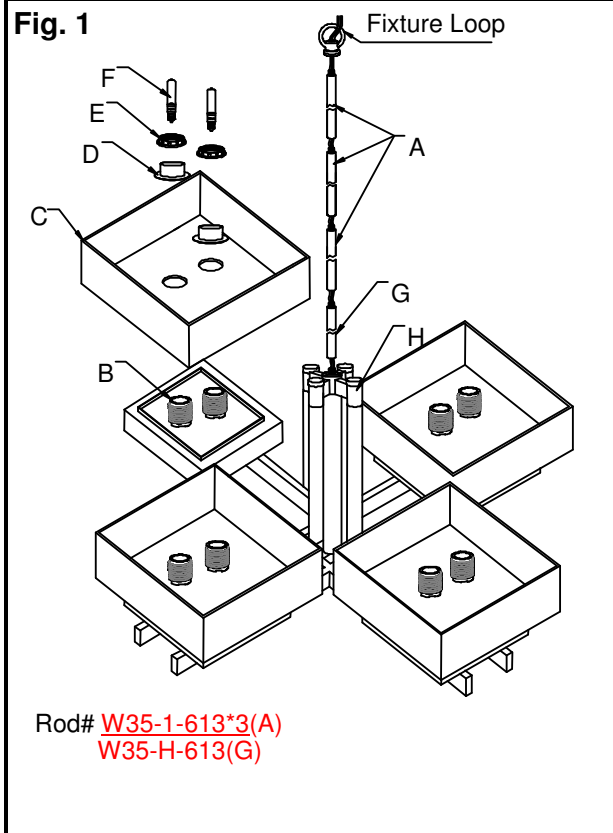
8. At this point, connect the electrical wire as shown in (Fig.3), making sure that all wire connectors are secured. If your outlet has a ground wire (green or bare copper), connect the fixtures ground wire to it. Otherwise, connect the fixture ground wire directly to the outlet box. Tuck these wire connections neatly into the ceiling junction box and then raise the canopy all the way to the ceiling.
9. Raise the lock collar and thread onto ceiling loop protruding through canopy.

### COMPLETING THE INSTALLATION (Fig. 1)

10. Place the glass shade (C), and metal cup (D) over the socket (B) and secure with the screw shell (E).
11. Install the light bulb(s) (included) in accordance with the fixture's specifications. **(DO NOT EXCEED THE MAXIMUM WATTAGE RATING!) (NE PAS DEPASSER LA PUISSANCE NOMINALE MAXIMALE!)**

Your installation is now complete. Return power to the junction box and test the fixture.

**Note:** Illustration (Fig. 1) on this manual is for installation purposes only. It may or may not be identical to the fixture purchased.



LA-2198E