

INSTALLATION INSTRUCTIONS

Item#N6478-293 (New. 05/04/2017)

READ AND SAVE THESE INSTRUCTIONS

WARNING! SHUT POWER OFF AT FUSE OR CIRCUIT BREAKER.

AVERTISSEMENT! COUPER LE COURANT AU NIVEAU DES FUSIBLES OU DU DISJONCTEUR.

HANGING THE FIXTURE (Fig. 1)

- Carefully remove the fixture from the carton and check that all parts are included as shown in the illustration.
- Shut off power at the circuit breaker and remove the old fixture including the mounting hardware.
- Determine the desired hanging height and thread rods (F1, F2 and F3) to fixture body (M). Carefully pass the wires through each rod during assembly. Secure swivels (G) onto rods (F1).
- Align canopy (H), metal support plate (I) followed by lock washer (F) and metal washer (E) onto swivels (G) and secure with hex nuts (D) via wrench (J) included.
- Position the mounting plate (A) on the ceiling and mark the location of the two drywall anchors (K). Pre-drill the holes for the drywall anchors (K). Then insert the drywall anchors (K) into the ceiling.
- Attach mounting plate (A) to the outlet box using mounting screws (B) (Size: #8-32N*L0.5") and wood screws (O) into drywall anchors (K). The side of the mounting plate marked "GND" must face out.
- The support cable is provided to support the weight of the fixture while wiring. Align the fixture to mounting plate (A) and attach hook (P) on the end of support cable (R) into a slot located on mounting plate (A). Carefully allow the support cable (R) to support the weight of the fixture while wiring.

CONNECTING THE WIRES (Fig. 1, Fig. 2)

- At this point, connect the electrical wires as shown in Fig. 2, making sure that all wire connectors are secured. If your outlet box has a ground wire (green or bare copper), connect the fixture's ground wire to it. Otherwise, connect the fixture's ground wire directly to the mounting plate using the green screw provided. After wires are connected, tuck them carefully inside the junction box.

COMPLETING THE INSTALLATION (Fig. 1&Fig.3)

- Align canopy (H) onto mounting plate (A) and secure with screws (C).
- Install the glass panel (Q) (R) (S) (T) (U) (V) (W) (X) (Y) (Z) into fixture body (M) and secure with tabs provided.
- Place the candle cover (L) over the socket of the fixture body (M).
- Install the light bulb(s) (N) (not included) in accordance with the fixture's specifications. **(DO NOT EXCEED THE MAXIMUM WATTAGE RATING!) (NE PAS DEPASSER LA PUISSANCE NOMINALE MAXIMALE!)**

Your installation is now complete. Return power to the junction box and test the fixture.

Note: Illustration (Fig. 1) on this manual is for installation purposes only. It may or may not be identical to the fixture purchased.

Fig.1

Rod# W30-1-293*2(F1)
W30-1-293*4(F2)
W30-H-293*2(F3)

Set# A-021-298117
-Mounting Plate
-Ground Screw
-Mounting Screw*2

Candle Cover#CCV24088P-293

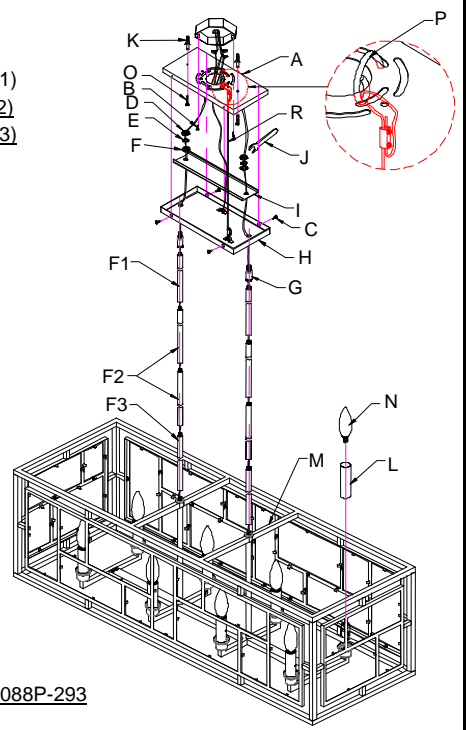


Fig. 2

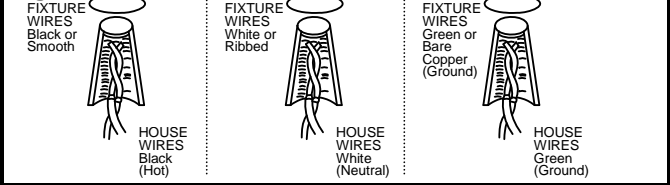


Fig. 3

Glass Panel:

Code	Finish	Size(mm)	Qty
#Q	Clear Wood Pattern	94*72	2pcs
#R	Clear Seeded	180*122	2pcs
#S	Clear Seeded	192*94	2pcs
#T	Clear Wood Pattern	122*84	2pcs
#U	Clear Wood Pattern	94*91	4pcs
#V	Clear Seeded	221*91	4pcs
#W	Clear Hammered	220*110	4pcs
#X	Clear Hammered	220*75	2pcs
#Y	Clear Seeded	221*125	4pcs
#Z	Clear Wood Pattern	125*94	4pcs

