

INSTALLATION INSTRUCTIONS

For item#N6556-690 (New. 2021/05/10)

READ AND SAVE THESE INSTRUCTIONS

WARNING! SHUT POWER OFF AT FUSE OR CIRCUIT BREAKER.

AVERTISSEMENT! COUPER LE COURANT AU NIVEAU DES FUSIBLES OU DU DISJONCTEUR.

PREPARING FOR INSTALLATION (Fig. 1 & Fig. 3)

1. Shut off power at the fuse box or circuit breaker box and remove the old fixture including the mounting hardware.
2. Carefully unpack your new fixture and lay out all the parts in a clean area. Take care not to misplace any small parts necessary for installation.
3. Secure rods (J) onto all threads (I) on fixture body.
4. Attach quick link (G) to loop (H1) and loop (H2) on canopy (E). Carefully feed wire through loop (H1), quick link (G), and loop (H2).
5. Position mounting plate (C) on ceiling and mark the location of the two mounting holes. Drill holes in ceiling and insert plastic anchors (A).
6. Attach mounting plate (C) to junction box, not included, using mounting screws (B) (Size: #8-32N*L0.5"). The side of the mounting plate marked "GND" must face out.
7. Secure mounting plate (C) by inserting wood screws (D) through holes on mounting plate and into plastic anchors (A).
8. Support cable is provided to support weight of fixture while wiring. Align fixture to mounting plate (C) and attach hook (P) on the end of support cable (N) and a slot located on mounting plate (C). Carefully allow support cable (N) to support weight of fixture while wiring.

CONNECTING THE WIRES (Fig. 2)

9. Connect the electrical wires as shown in figure 2, making sure that all wire connectors are secured. If your junction box has a ground wire (green or bare copper), connect the fixture's ground wire to it. Otherwise, connect the fixture's ground wire directly to mounting plate (C) using the green screw provided.
10. Tuck wire connectors neatly into junction box.

COMPLETING THE INSTALLATION (Fig. 1)

11. Raise canopy (E) over mounting plate (C) and secure with screws (F).
12. Place candle covers (M) over sockets (L).
13. Install (6) six candelabra base bulbs (N) up to 60 watts each or CFL or LED equivalent (not included) in accordance with the fixture specification. — **DO NOT EXCEED THE MAXIMUM WATTAGE RATING! (NE PAS DEPASSER LA PUISSANCE NOMINALE MAXIMALE!)**

Your installation is now complete. Return power to the junction box and test the fixture.

Note: Illustration (Fig. 1) on this manual is for installation purposes only. It may or may not be identical to the fixture purchased.

Fig. 1

Set#A-021-xxxxx
- Mounting plate
- Ground screw
- Mounting screw*2

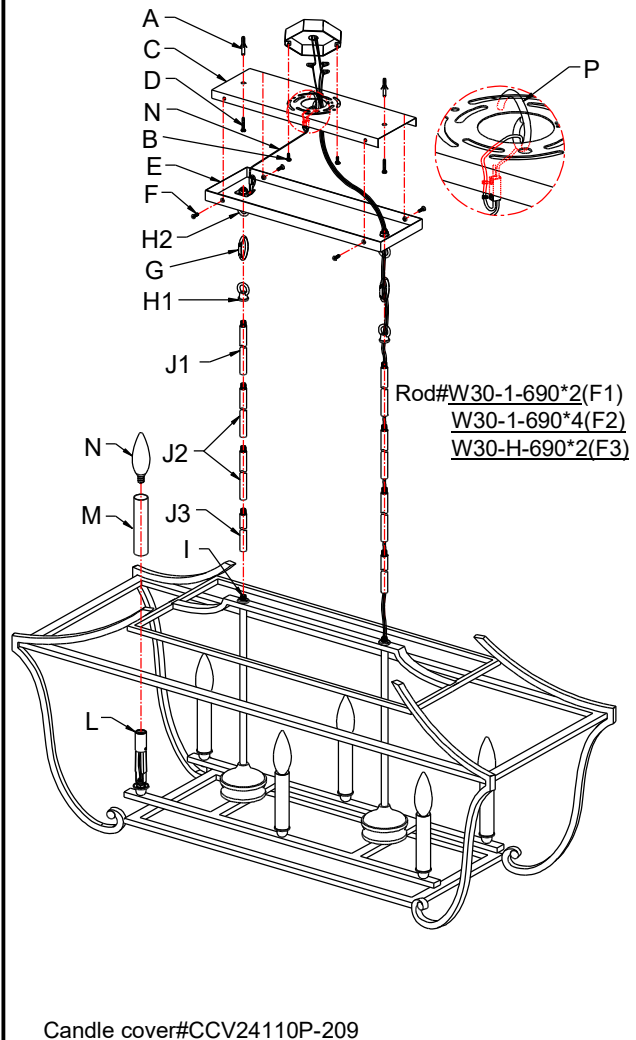


Fig. 2

