

INSTALLATION INSTRUCTION FOR N6660-865

WARNING! SHUT POWER OFF AT FUSE OR CIRCUIT BREAKER .
AVERTISSEMENT! COUPER LE COURANT AU NIVEAU DES FUSIBLES OU DU DISJONCTEUR.

READ AND SAVE THESE INSTRUCTIONS

PREPARING FOR INSTALLATION

1. Shut off the power at the fuse box or circuit breaker box. If necessary, remove the old fixture and all mounting hardware from junction box.
2. Carefully unpack your new fixture and lay out all the parts on a clear area. Take care not to lose any parts necessary for installation.

ASSEMBLING THE FIXTURE (Fig.1)

3. Place outer glass shade (O), cap (N), tube (M) and decorative round ball (L) over all thread (P), then secure with coupling (K).
4. Place inner glass shade (R) and metal washer (S) over socket (Q), then secure with socket cup (T).
5. Determine desired hanging height and thread rods (G, H, I, J) to coupling (K). Then thread swivel (F) of canopy (D) onto rod (G).
6. Pass wires carefully through each rod, swivel (F) and canopy (D).

MOUNTING THE FIXTURE (Fig.1)

7. Thread two mounting screws (C) (Size: #8-32*1.4"L) into crossbar (A) spaced same distance apart as holes in canopy (D). Length of mounting screws (C) into crossbar (A) may be adjusted if necessary. Attach crossbar (A) to junction box (Not included) using junction box screws (B) (Size: #8-32*0.6"). The side of crossbar (A) marked "GND" must face out.

CONNECTING THE WIRES (Fig.2)

8. Connect electrical wires as shown in figure 2, making sure that all wire connectors are secured. If your junction box has a ground wire (green or bare copper), connect ground wire to it. Otherwise, connect ground wire directly to the crossbar (A) and secure using green screw provided.
9. Tuck wire connectors neatly into the junction box.

COMPLETING THE INSTALLATION (Fig. 1)

10. Raise canopy (D) over mounting screws (C) and secure with cap nuts (E).
11. Install (1) one medium base bulbs up to 100 watts each or CFL or LED equivalent (not included) in accordance with the fixture specification. **(DO NOT EXCEED THE SPECIFIED WATTAGE!) (NE PAS DEPASSER LA PUISSANCE NOMINALE MAXIMALE!)**

Fig.1

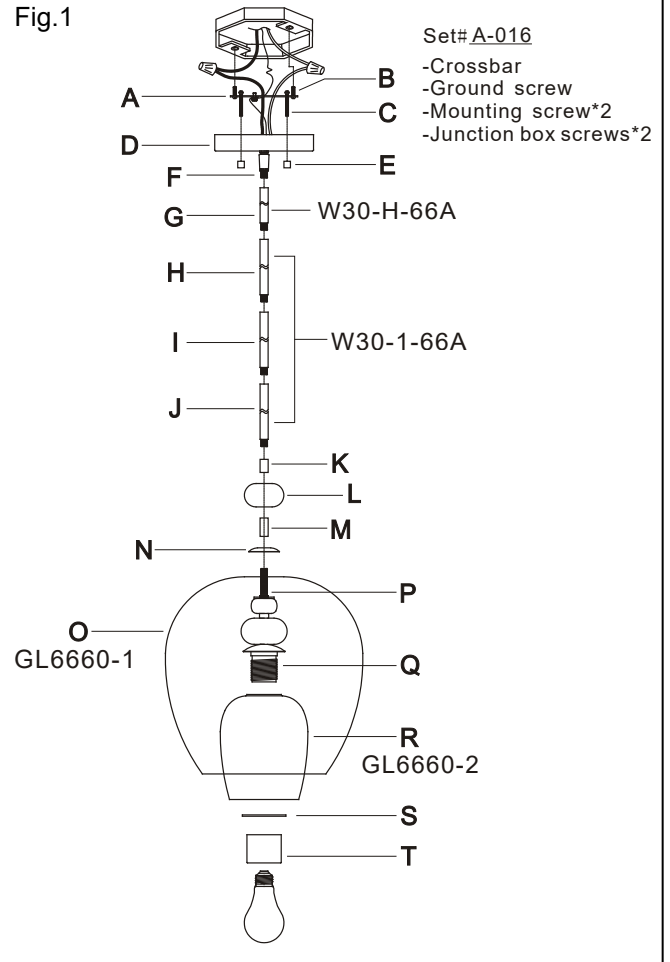
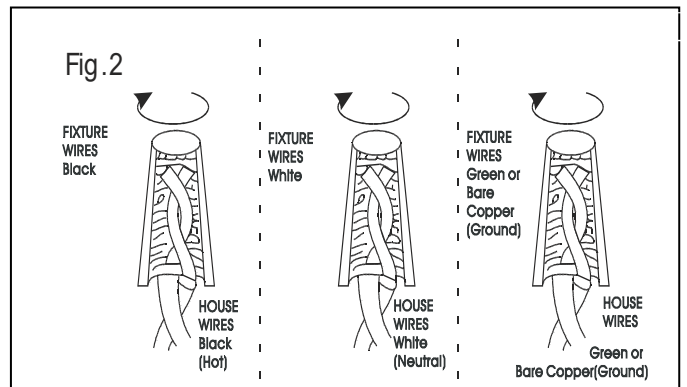
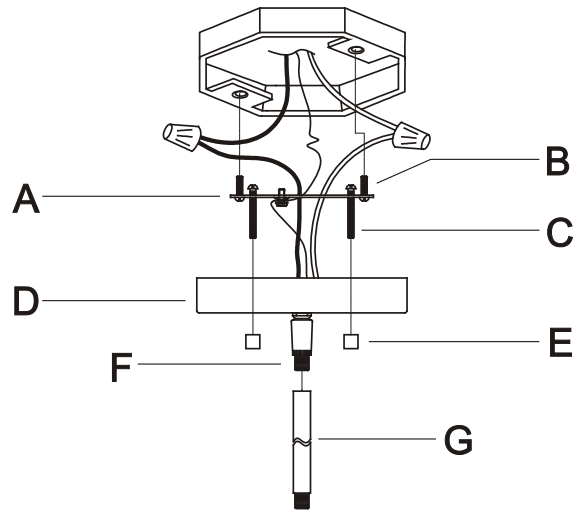


Fig.2



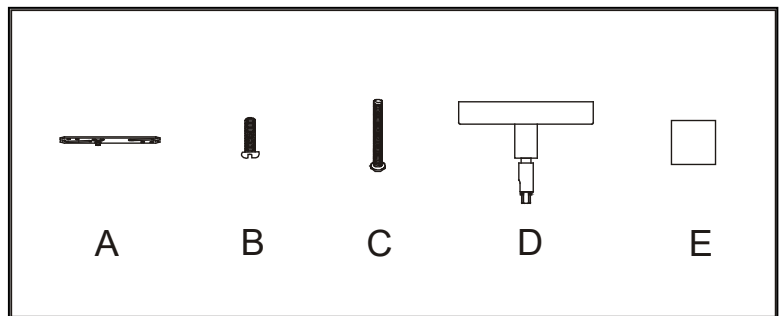
Your installation is now complete. Return power to the junction box and test the fixture.





a. Hardware Bag:

- A. Crossbar *1
- B. Junction Box Screws *2
- C. Mounting Screws *2
- D. Canopy *1
- E. Cap Nuts *2



b. Hardware Bag:

- H, I, J. Rod 12" *3
- G Rod 6" *1

