

INSTALLATION INSTRUCTIONS

Item #N6686-874 (11/30/2022)

READ AND SAVE THESE INSTRUCTIONS

WARNING! SHUT POWER OFF AT FUSE OR CIRCUIT BREAKER.
AVERTISSEMENT! COUPER LE COURANT AU NIVEAU DES FUSIBLES OU DU DISJONCTEUR.

PREPARING THE FIXTURE (Fig.2)

1. Carefully unpack the new fixture and lay out all the parts on a clear area. Take care not to lose any parts necessary for installation.
2. Shut off power at fuse box or circuit breaker. If necessary, remove old fixture, including mounting hardware.
3. Pass fixture wires through all thread (A). Thread all thread into coupling and secure with nut.
4. Place tube (B) and cap (C) over all thread.
5. By measuring determine desired hanging height and thread rods (D & E) into top of all thread of fixture body.
6. Carefully pass fixture wires through each rod as you assemble.
7. Pass wires through canopy (F) and pull until tight. Then thread canopy onto top of rods.

MOUNTING THE FIXTURE (Fig.1)

8. The mounting strap contains several pairs of threaded holes, find the pair of holes that match holes spacing in your fixture canopy and thread two fixture screws into mounting strap and tighten with hex nut. Note: The length of fixture screw into mounting strap may be adjusted if necessary.
9. Attach mounting strap to outlet box (not included) using box screws (Size: #8-32*0.5L). The side of mounting strap marked "GND" must face out.
10. The support cable is provided to support the weight of fixture while wiring. Align fixture to mounting strap and attach hook on the end of support cable into a slot located on mounting strap. Carefully allow support cable to support the weight of fixture while wiring.

CONNECTING THE WIRES (Fig. 3)

11. At this point, connect the electrical wires as shown in Fig. 3, making sure that all wire connectors are secured. If your outlet box has a ground wire (green or bare copper), connect fixture's ground wire to it. Otherwise, connect fixture's ground wire directly to mounting strap using green screw provided.
12. Tuck wire connectors neatly into outlet box.

FINISHING THE INSTALLATION (Fig.1 & 2)

13. Place canopy (F) over two fixture screws (or all thread) and secure with decorative nuts.
14. Install glass (I) to arm and secure with nut (J) and plastic washers (H) provided. (Recommendation: Install glass from bottom to top.)
15. Install final cap (G) onto bottom of body.
16. Install (6) six candelabra base bulbs up to 60 watts each or CFL or LED equivalent (not included) in accordance with the fixture specification—**DO NOT EXCEED THE MAXIMUM WATTAGE RATING! (NE PAS DEPASSER LA PUISSANCE NOMINALE MAXIMALE!)**.

Your installation is now complete. Return power to the outlet box and test the fixture.

Note: Illustration on this manual is for installation purposes only. It may or may not be identical to the fixture purchased. Do not clean your light fixture or parts with water or cleanser.

Fig.1

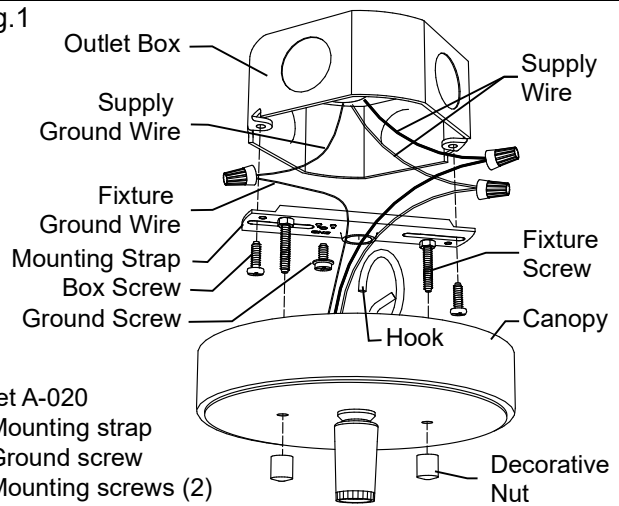


Fig.2

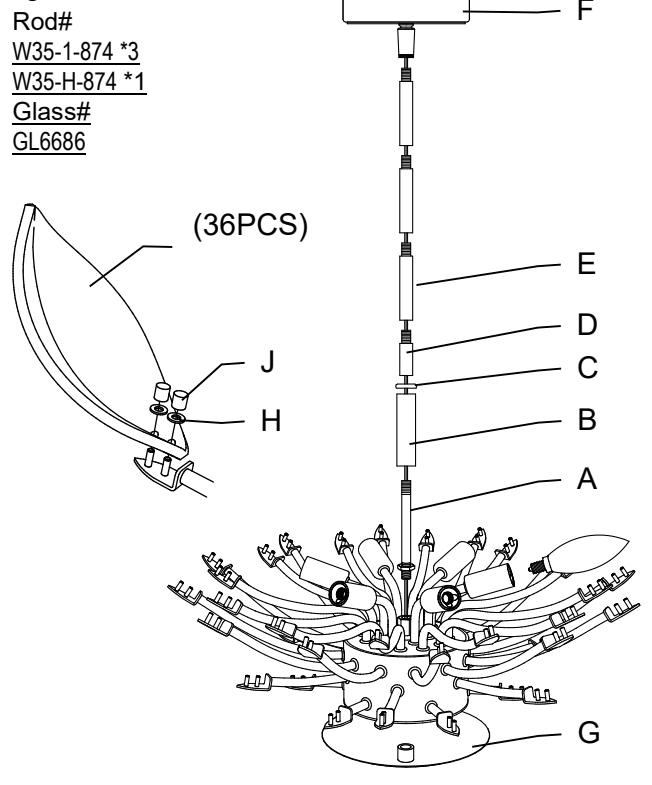


Fig.3

