

INSTALLATION INSTRUCTIONS

For Model#N6841-613

WARNING! SHUT POWER OFF AT FUSE OR CIRCUIT BREAKER .
AVERTISSEMENT! COUPER LE COURANT AU NIVEAU DES FUSIBLES OU DU DISJONCTEUR.

ASSEMBLING THE FIXTURE (Fig.1)

1. Carefully remove the fixture from the carton and check that all parts are included as shown in the illustration.
2. Shut off power at the circuit breaker and remove old fixture including the mounting hardware.
3. Thread nipple (B) into loop (A) until snug.
4. Install fabric shade (D) and sleeve #CCV28072P-613 (E) and crystal plate (F) to socket (G), secure in place with socket collar (C).
5. Hang the bottom crystal ball (H) by using the small ring (I) as shown in Fig.1.
6. Install the light bulbs (not included) in accordance with the fixture's specifications. **(DO NOT EXCEED THE MAXIMUM WATTAGE RATING!)**
(NE PAS DEPASSER LA PUISSANCE NOMINALE MAXIMALE!)

HANGING THE FIXTURE (Fig. 2)

7. Thread nipple (J) into loop (F) until snug.
8. Thread other end of nipple with loop (F) attached into crossbar (D) until snug.
9. Place lock washer (C) over end of nipple protruding through crossbar (D) and thread hex nut (B) onto nipple until tight.
10. Take this crossbar assembly and mount to ceiling junction box (A) with junction box screws. Tighten screws securely with screwdriver.
11. By measuring, determine correct number of links needed for proper hanging height.
12. Use a pair of pliers to open one end link of the chain, attach the chain (G) to the fixture's loop (F) and close the link. Slip loop collar (I) and metal plate (K) and canopy (H) over the chain (G). Open the other end link of the chain and lift the fixture to attach to the ceiling loop, close the chain link.
13. Lace the fixture's wires through the chain links and pull until taut. Feed the fixture wires through the loop and nipple and pull until taut.

CONNECTING THE WIRES (Fig. 3)

14. At this point, connect the electrical wire as shown in figure 2, making sure that all wire connectors are secured. If your outlet has a ground wire (green or bare copper), connect the fixtures ground wire to it. Otherwise, connect the fixture ground wire directly to the crossbar (D) using the green screw provided.
15. Tuck these wire connections neatly into the ceiling junction box and then raise the canopy all the way to the ceiling. Raise the lock collar and thread onto ceiling loop protruding through canopy.

Your installation is now complete. Return power to the junction box and test the fixture.

Note: Illustration (Fig. 1) on this manual is for installation purposes only. It may or may not be identical to the fixture purchased.

Fig. 1

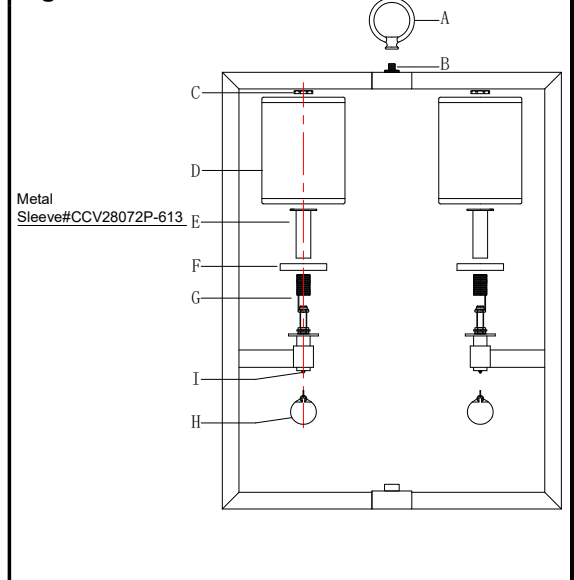


Fig.2

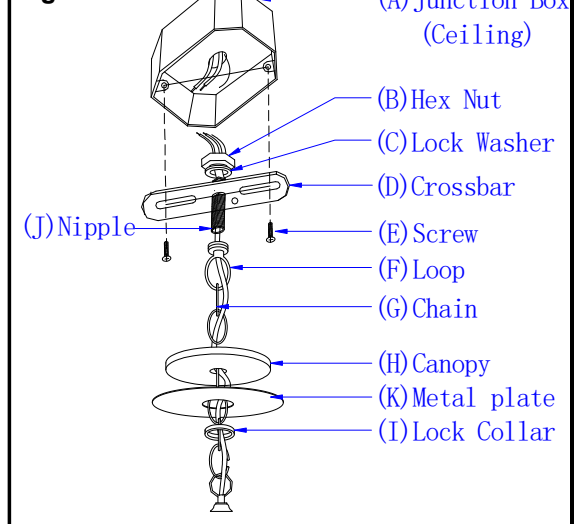
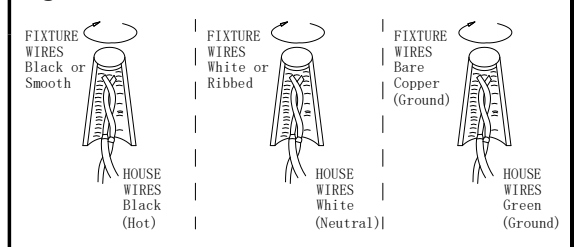


Fig. 3



Notice: It is important to use proper chain pliers (not included) To OPEN and CLOSE the chain included with this fixture. Do not open them with other tools that may twist or stress the chain links. It is important to use proper chain pliers like the ones shown in the diagram.

