

INSTALLATION INSTRUCTIONS

Item# N6896-898 (New. 2023/07/30)

READ AND SAVE THESE INSTRUCTIONS

WARNING! SHUT POWER OFF AT FUSE OR CIRCUIT BREAKER.

AVERTISSEMENT! COUPER LE COURANT AU NIVEAU DES FUSIBLES OU DU DISJONCTEUR.

MOUNTING THE FIXTURE (Fig.1)

1. Shut off the power at the circuit breaker and remove the old fixture, including the mounting hardware.
2. Carefully unpack your new fixture and lay out all the parts on a clean area. Take care not to lose any small parts necessary for installation.
3. Install large rod (J) onto socket assembly (K) as shown in (Fig.1).
4. Install metal ring (I) to large rod (J), then thread small rod (H) onto all thread of metal ring (I), attach top ring (F) by threading onto rod (H) as shown in (Fig.1).
5. Thread canopy screws (C) into pre-drilled holes on mounting plate (A). Spaced same distance apart as holes in canopy (F), and secure with nuts (D) provided.
6. Attached mounting plate (A) to outlet box (Not included) using mounting screws (B) (Size: #8-32N*L1"). The side of mounting plate (A) marked with "GND" must face out.
7. The support cable is provided to support the weight of fixture while wiring. Align fixture to mounting plate (A) and attach hook on end of support cable (E) into a slot located on mounting plate (A). Carefully allow support cable (E) to support weight of fixture while wiring (Fig.1).

CONNECTING THE WIRES (Fig. 2)

8. Connect the electrical wires as shown in Fig.2, making sure that all wire connectors are secured. If your outlet has a ground wire (green or bare copper), connect fixture's ground wire to it. Otherwise, connect fixture's ground wire directly to mounting plate (A) using green screw provided.
9. Tuck the wire connectors neatly into outlet box.

FINISHING THE INSTALLATION (Fig.1)

10. Raise canopy (F) over canopy screws (C) and secure with cap nuts (G).
11. Install (6) six candelabra base bulbs up to 60 watts each or CFL or LED equivalent (not included) in accordance with the fixture specification. — **DO NOT EXCEED THE MAXIMUM WATTAGE RATING! (NE PAS DEPASSER LA PUISSANCE NOMINALE MAXIMALE!**
12. Secure small metal ring (L) to bottom of all thread of socket assembly (K) and securing with nut (M).
13. Hook string of natural stones (C6 & D6) to top ring (F) and small metal ring (L) cyclically.
14. Hook string of natural stones (A6 & B6) to metal ring (I) and bottom ring (N) cyclically.
15. Attach bottom ring assembly (N) with nut (O) and finial (P) to all thread of socket assembly (K).
16. Hook string of natural stones (E6 & F6) to bottom ring (N) cyclically.

Your installation is now complete. Return power to outlet box and test the fixture.

Fig. 1

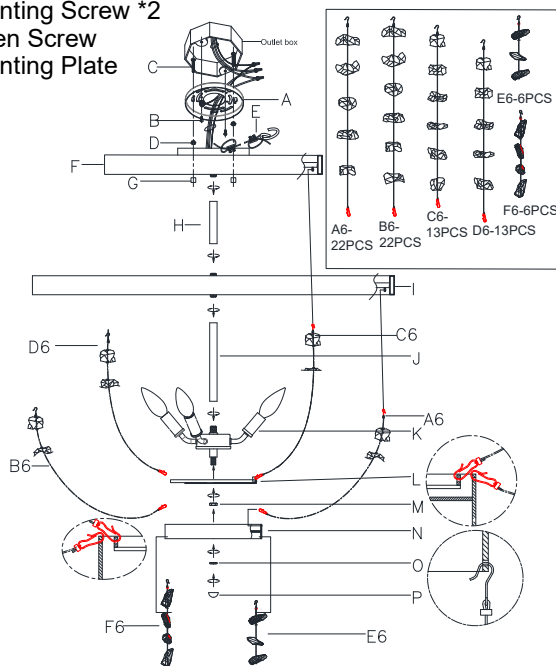
Candle Cover# CCV21048P-898

Set#A-020-142D

-Mounting Screw *2

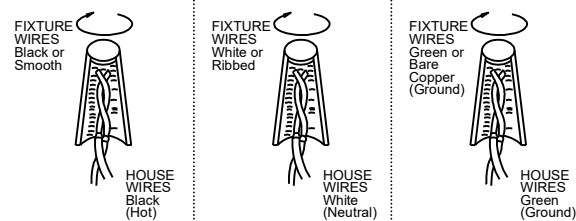
-Green Screw

-Mounting Plate



Code	Rock Crystal String#	QTY/per item
A6	GL6896-S-C1	22
B6	GL6896-S-C2	22
C6	GL6896-S-T2	13
D6	GL6896-S-T1	13
E6	GL6896-S-B1	6
F6	GL6896-S-B2	6

Fig. 2



Note: Illustration (Fig.1) on this manual is for installation purposes only. It may or may not be identical to the fixture purchased.

N6896-898



american
lighting
associates