

INSTALLATION INSTRUCTIONS

Item #N6960-1 (Rev. 11/25/2015)

READ AND SAVE THESE INSTRUCTIONS

WARNING! SHUT POWER OFF AT FUSE OR CIRCUIT BREAKER.

AVERTISSEMENT! COUPER LE COURANT AU NIVEAU DES FUSIBLES OU DU DISJONCTEUR.

HANGING THE FIXTURE (Fig. 1)

1. Carefully remove the fixture from the carton and check that all parts are included as shown in the illustration.
2. Shut off power at the circuit breaker and remove old fixture including the mounting hardware.
3. Attach the Mounting Plate (A) to the Outlet Box using the two screws (B). The side of the mounting Plate marked "GND" must face out.

CONNECTING THE WIRES (Fig. 2)

4. At this point, connect the electrical wire as shown in figure 2, making sure that all wire connectors are secured. If your outlet has a ground wire (green or bare copper), connect the fixtures Ground Wire to it. Otherwise, connect the fixture Ground Wire directly to the reinforcement plate using the Green Screw provided.

FINISHING THE INTALLATION (Fig. 1)

5. Place Canopy (C) over the Mounting Plate (A) and secure with Screws (D) by the Allen Wrench (E) provided.
6. Install the light bulbs (not included) in accordance with the fixture's specifications. **(DO NOT EXCEED THE MAXIMUM WATTAGE RATING!) (NE PAS DEPASSER LA PUISSANCE NOMINALE MAXIMALE!)**
7. Place the Nipple (F) to the bottom of Fixture Body, then place Glass Shade (G) over the Nipple and secure in place with Finial (H).

Fig. 1

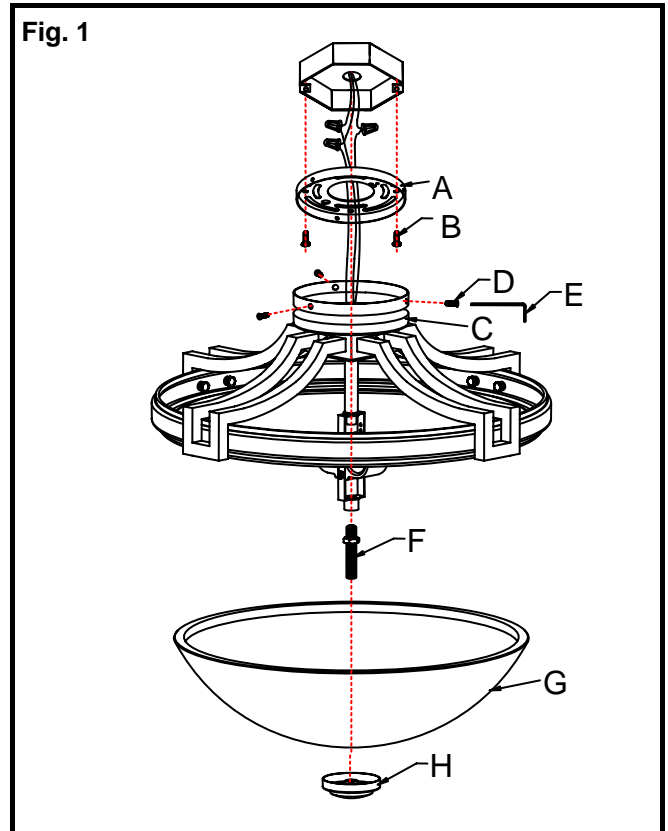
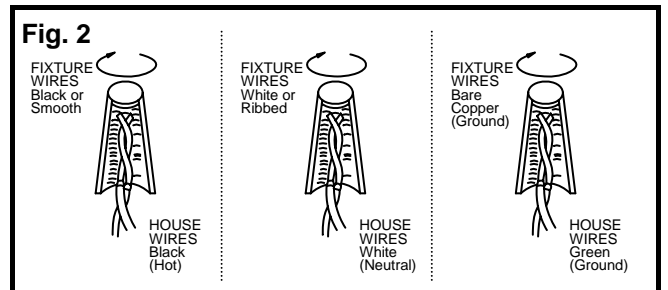


Fig. 2



Your installation is now complete. Return power to the junction box and test the fixture.

Note: Illustration (Fig. 1) on this manual is for installation purposes only. It may or may not be identical to the fixture purchased.

