

# INSTALLATION INSTRUCTIONS

Item #N6965-1 (Rev. 11/25/2015)

READ AND SAVE THESE INSTRUCTIONS

**WARNING! SHUT POWER OFF AT FUSE OR CIRCUIT BREAKER.**

**AVERTISSEMENT! COUPER LE COURANT AU NIVEAU DES FUSIBLES OU DU DISJONCTEUR.**

## ASSEMBLING THE FIXTURE (Fig.1)

1. Carefully remove the fixture from the carton and check that all parts are included as shown in the illustration.
2. Shut off power at the circuit breaker and remove old fixture including the mounting hardware.
3. Place the Loop (A) into the Fixture Body (B) and pull wire until taut.
4. Loosen the Screws (H), make the Fixture Body (B) to separate Metal Frame (M).
5. Insert the Large Glass Panels (J) into the Fixture Body (B), secure with clips on the bottom.
6. Pry up the Clips on the bottom of Metal Frame (M), place the Glass Shield (L) into bottom Metal Frame (M), then insert the small Glass Panels (K) into Metal Frame and secure with clips on the bottom.
7. Align the holes on the bottom Metal Frame (M) to Fixture Body (B) and secure with Screws (H).
8. Install the light bulbs (not included) in accordance with the fixture's specifications. **(DO NOT EXCEED THE MAXIMUM WATTAGE RATING!) (NE PAS DEPASSER LA PUISSANCE NOMINALE MAXIMALE!).**
9. Place the Glass Shields (D) over the Studs (F) located on the Support Plate (C), then place Bushing (E) over the Studs and secure with Knurled Knobs (G).

## HANGING THE FIXTURE (Fig. 2)

10. Secure Nipple into ceiling Loop until snug.
11. Secure other end of Nipple with ceiling Loop attached into crossbar until snug.
12. Place Lock Washer over end of Nipple protruding through crossbar and thread Hex Nut onto nipple until tight.
13. Take the crossbar assembly and mount to ceiling junction box with junction box screws. Tighten screws securely with screwdriver.
14. Attach the chain to the Fixture Loop. Quick link must be completely threaded closed when installed. By measuring determine correct number of links needed for proper hanging height. Use a pair of pliers to open one end link of the chain and discard un- wanted chain. Slip the Lock Collar and canopy over the chain.
15. Lace the fixture's wires through the chain links and pull until taut. Feed the fixture wires through the Lock Collar, Canopy, Ceiling Loop and Nipple and pull until taut.

## CONNECTING THE WIRES (Fig. 3)

16. At this point, connect the electrical wire as shown in (Fig.3) making sure that all wire connectors are secured. If your outlet has a ground wire (green or bare copper), connect the fixtures Ground Wire to it. Otherwise, connect the fixture Ground Wire directly to the crossbar using the Green Screw provided.
17. Tuck these wire connections neatly into the ceiling junction box and then raise the canopy all the way to the ceiling. Raise the Lock Collar and thread onto ceiling Loop protruding through canopy. Open Quick link, add to the other end link of the chain and lift the fixture to attach to the Ceiling Loop, close the Quick Link.

Your installation is now complete. Return power to the junction box and test the fixture.

**Note: Illustration (Fig. 1) on this manual is for installation purposes only. It may or may not be identical to the fixture purchased.**

Fig. 1

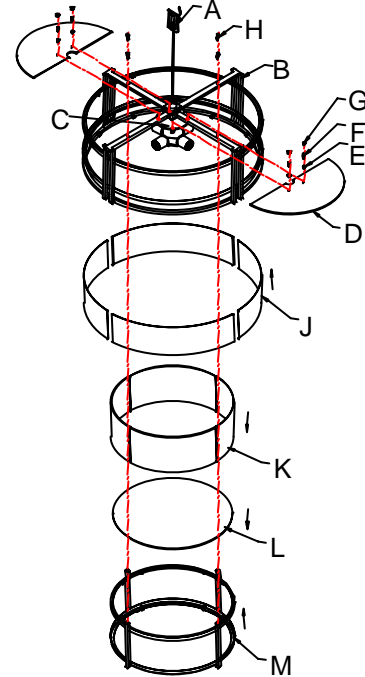


Fig. 2

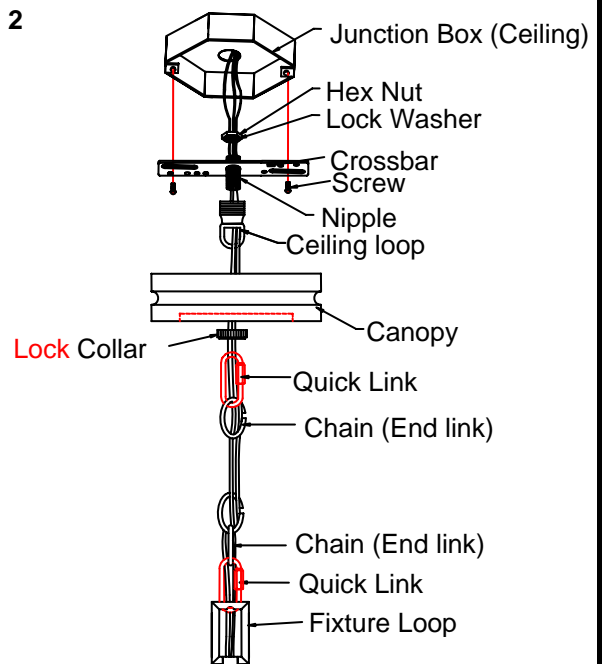
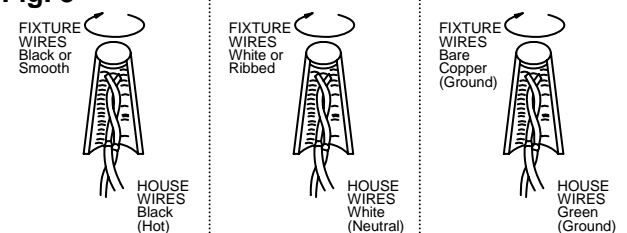


Fig. 3



Notice: It is important to use proper chain pliers (not included) to OPEN and CLOSE the chain included with this fixture. Do not open them with other tools that may twist or stress the chain links. It is important to use proper chain pliers like the ones shown in the diagram.



LA-1773E