

INSTALLATION INSTRUCTIONS FOR N6987-613

WARNING! SHUT POWER OFF AT FUSE OR CIRCUIT BREAKER .

AVERTISSEMENT! COUPER LE COURANT AU NIVEAU DES FUSIBLES OU DU DISJONCTEUR.

ASSEMBLING THE FIXTURE (Fig. 1)

1. Carefully remove the fixture from the carton and check that all parts are included as show in figure.
2. Shut off power at the circuit breaker and remove the old fixture including the mounting hardware.

HANG THE FIXTURE (Fig.1)

1. Take the mounting plate (C) assembly and mount to the junction box (A) with screws (D) (size: #8-32 0.5" L.). The side of the mounting plate marked "GND" must face out.

CONNECTING THE WIRES (Fig. 2)

2. Connect the electrical wire as shown in figure 2 , making sure that all wire connectors are secured. If your outlet has a ground wire (green or bare copper), connect the fixtures ground wire to it. Otherwise, connect the ground wire directly to the mounting plate and secure with the wire connectors provided. Tuck the wire connections neatly into the ceiling junction box.

COMPLETING THE INSTALLATION (Fig. 1)

3. Thread canopy (G) to mounting plate(C), using provided screws(B)
4. Install light bulb (I) (not included) (8 x Max 60W Candelabra) in accordance with the fixture's specifications. **(DO NOT EXCEED THE MAXIMUM WATTAGE RATING!) (NE PAS DEPASSER LA PUISSANCE NOMINALE MAXIMALE!)**
5. Take out the crystals (L), then fit it between lamp body (H) and (J) towards in the same direction, then lock it to (M) tightly with screws provided. Adjust the crystals until it fixed tightly.

Your installation is now complete. Return power to the junction box and test the fixture.

Note: Fixture should be installed by a qualified electrician to ensure proper wiring and installation.

Fig.1

Set-Mounting# A-021-115D
 -Mounting plate (1)
 +Green screw (1)
 -Mounting screw (2)

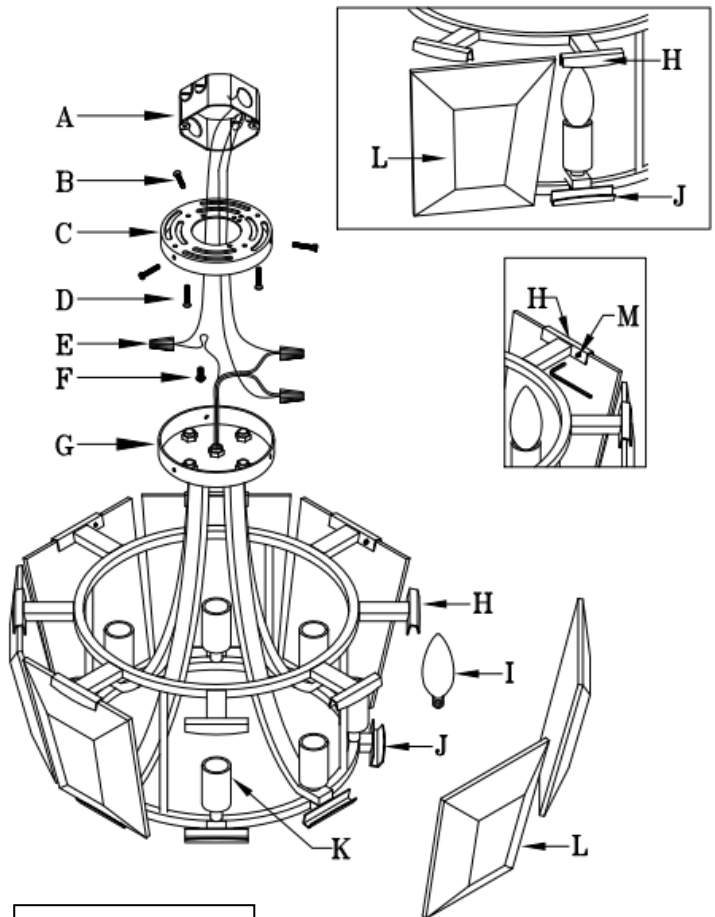


Fig.2

