

INSTALLATION INSTRUCTIONS

Item#N7102-258B (Rev. 04/28/2015)

READ AND SAVE THESE INSTRUCTIONS

WARNING! SHUT POWER OFF AT FUSE OR CIRCUIT BREAKER.

AVERTISSEMENT! COUPER LE COURANT AU NIVEAU DES FUSIBLES OU DU DISJONCTEUR.

ASSEMBLING THE FIXTURE (Fig. 1)

1. Shut off power at the fuse box or circuit breaker. If necessary, remove the old fixture including the mounting hardware.
2. Carefully remove the new fixture from the carton and check that all parts are included as shown in the illustration.
3. Attach the circular strap (A) to the outlet box using mounting screws (B) (Size: #8-32N*L0.5"). The side of the circular strap marked "GND" must face out.
4. Thread the studs (C) into the pre-drilled holes of the circular strap (A) spaced the same distance apart as the holes in the back plate of the fixture body (D).
5. Using the fixture as a reference, mark and drill a hole for the plastic anchors (L) in the proper location.
6. Install the bracket (M) to the wall with the wood screws (N) and the plastic anchor (L) (provided).

CONNECTING THE WIRES (Fig. 2)

7. At this point, connect the electrical wire as shown in figure 2, making sure that all wire connectors are secured. If your outlet has a ground wire (green or bare copper), connect the fixture's ground wire to it. Otherwise, connect the fixture ground wire directly to the back plate using the green screw provided. After the wires are connected, tuck them carefully into the outlet box.

COMPLETING THE INSTALLATION (Fig. 1)

8. Place fixture body (D) over studs (C) and secure with knurled knobs (E), fasten the fixture body to the bracket (M) with the screw (O).
9. Hang the crystal drops (F) to the fixture body (D).
10. Place the tube (I) over the socket of the fixture body (D).
11. Thread the wire mesh shade (J) into nipple (G), secure it with nut (K) until tight.
12. Install the light bulb(s) (P) (not included) in accordance with the fixture's specifications. **(DO NOT EXCEED THE MAXIMUM WATTAGE RATING!) (NE PAS DEPASSER LA PUISSANCE NOMINALE MAXIMALE!).**

Your installation is now complete. Return power to the outlet box and test the fixture.

Note: Illustration (Fig. 1) on this manual is for installation purposes only. It may or may not be identical to the fixture purchased.

Fig.1

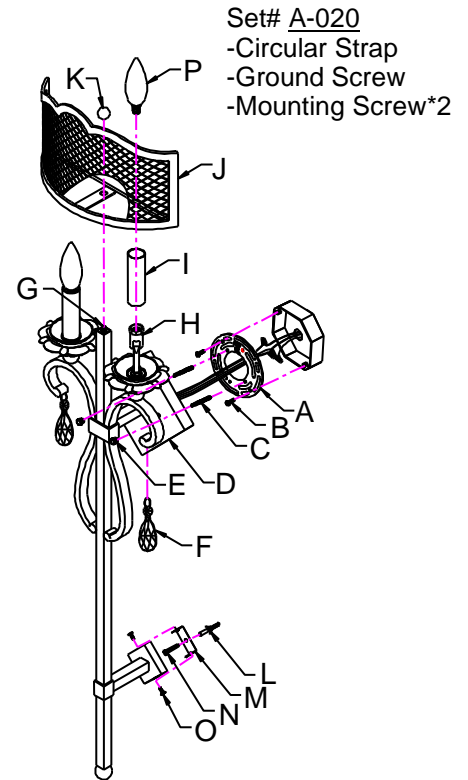
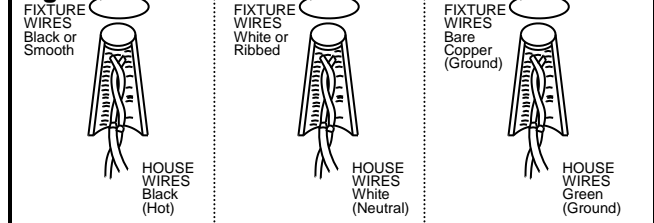


Fig. 2



© 2015 Minka Lighting, Inc.

This product is protected by United States Federal and/or State Law, including Patent and/or Copyright laws."



american
lighting
association