

INSTALLATION INSTRUCTIONS FOR N7238-L For LED Pendant

READ AND SAVE THESE INSTRUCTIONS

WARNING! SHUT POWER OFF AT FUSE OR CIRCUIT BREAKER
AVERTISSEMENT! COUPER LE COURANT AU NIVEAU DES FUSIBLES OU DO DISJONCTEU

ASSEMBLING THE FIXTURE (Fig.1)

- 1 Shut off power at the fuse box or circuit breaker box. If necessary, remove the existing fixture and its mounting hardware.
- 2 Carefully remove the new fixture from the carton and check that all parts are included as shown in the illustration.
- 3 This fixture includes three 12", and one 6" rods. Determine the desired hanging height and thread rods (K1) (Part#W35-1-613), (K2) (Part#W35-H-613) to nipple (L). Feed the fixture wire and safety cable carefully through each rod. Please remove the nipple if installing with one 6" rod only.
- 4 Thread the loop (J) to rod unit snug.
- 5 Install a 1/4" IPS pipe (A) (not provided) with one end securely mounted to a beam of a structural member. The other end should protrude through the center of the outlet box as shown.
- 6 Secure the hex nut (B) onto the pipe (A) and then secure the hickey (C) tightly.
- 7 Thread hex nut (D) onto the nipple (E), then thread the nipple (E) into the hickey (C); and secure with hex nut (D) on the other end of nipple (E). Thread loop (H) onto nipple (E) tightly.
- 8 Slip the lock collar (G) and canopy (F) over the rod.
- 9 Open quick link (I) and connect it to loop (H/J). Then thread the quick link closed.
- 10 Feed the fixtures wires and safety cable through the ceiling loop (H) and nipple (E) and allow them to exit through the side of hickey (C). Run safety cable through the hickey (C) one circle and secure safety cable with set screw assembly and set screw.

CONNECTING THE WIRES (Fig.2)

- 11 Connect the electrical wires as shown in Fig.2, making sure that all wire connectors are secured. If your outlet has a ground wire (green or bare copper), connect the fixture's ground wire to it. After the wires are connected, tuck them neatly into the outlet box.

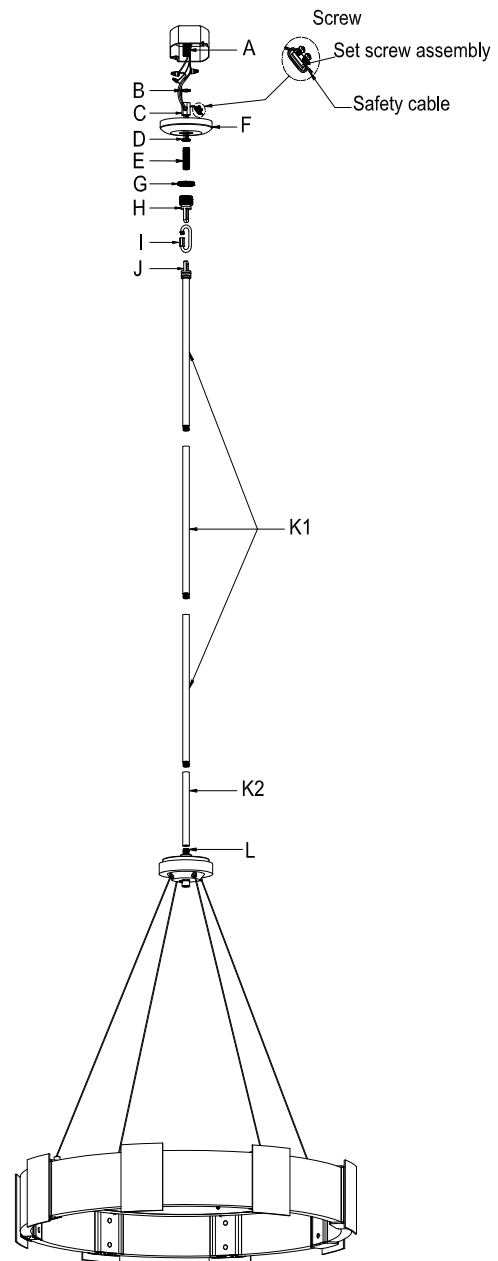
COMPLETING THE INSTALLATION

- 1 Align canopy (F) to the ceiling. Then raise the lock collar (G) and thread onto the ceiling loop (H) protruding through canopy (F). Your installation is now complete. Return power to the junction box and test the fixture.

CAUTION /ATTENTION: When handling the fixture, do not apply pressure to the LEDs. Hold the fixture by the base only.

WARNING: This luminaire must be mounted or supported independently of an outlet box.

Fig.1



Replacing LED module (Fig. 3)

The LED module can be replaced by a qualified electrician without cutting of wire and without damage to any decorative element to which the fixture is attached. See installation steps for more details (Fig.3)

Warning: Turn off power at the circuit breaker before replacing LED module.

- Loosen screws (M), remove part (N) and crystal (O).
- Loosen screws (P2), rubber washers (Q2), and remove part (T).
- To disconnect LED module (S): Loosen screws (P1), rubber washers (Q1). Disconnect the LED module by unplug the wire connector (R1/R2) and carefully remove LED module.
- Loosen screws (Y), remove frame (W) and studs (X).
- Loosen screws (P4), rubber washers (Q4), remove diffuser (V).
- To disconnect LED module (U): Loosen screws (P3), rubber washers (Q3). Disconnect the LED module by unplug the wire connector (R3/R4) and carefully remove LED module.
- Reverse steps a-f for installing the new LED module.

Note: The LED module should be provided by a specified supplier.

IMPORTANT: Fixture should be installed by a qualified electrician to ensure proper wiring and installation.

Dimmable with ELV and/or LED compatible wall dimmer switches.

Fig.2

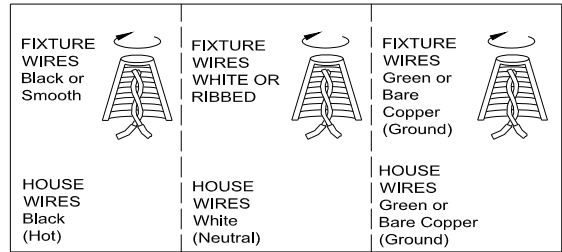


Fig.3

