

INSTALLATION INSTRUCTION FOR N7326-613/N7329-613

READ AND SAVE THESE INSTRUCTIONS

WARNING! SHUT POWER OFF AT FUSE OR CIRCUIT BREAKER.
AVERTISSEMENT! COUPER LE COURANT AU NIVEAU DES FUSIBLES OU DU DISJONCTEUR.

PREPARATION

ASSEMBLING THE FIXTURE(Fig.1)

1. Shut off the power at the fuse box or circuit breaker box. Remove old fixture and all mounting hardware from junction box.
2. Carefully unpack your new fixture and lay out all the parts on a clear area. Take care not to lose any parts necessary for installation.
3. Thread stem (M) onto all thread (N).
4. Determine desired hanging height and thread rods (H, I, J, K) to coupling (L). Then thread swivel (G) on canopy (E) onto rod (H). Pass wires carefully through each rod, swivel (G) and canopy (E).

MOUNTING THE FIXTURE (Fig.1)

5. Thread two mounting screws (A) (Size: #8 32*1.2"L) into crossbar (B) spaced same distance apart as holes in canopy (E). Secure crossbar (B) to junction box (not provided) with junction box screws (C) (Size: #8-32*0.6"L). The length of mounting screws (A) into crossbar (B) may be adjusted if necessary. The side of crossbar (B) marked "GND" must face out.
6. The support cable is provided to support weight of fixture while wiring. Attach hook (D) on the end of support cable to crossbar (B). Carefully allow support cable to support the weight of fixture while wiring.

CONNECTING THE WIRES (Fig.2)

7. Connect electrical wires as shown in figure 2, making sure that all wire connectors are secured. If your junction box has a ground wire (green or bare copper), connect fixture's ground wire to it. Otherwise, connect the fixture's ground wire directly to crossbar (B) using green screw provided.
8. Tuck wire connectors neatly inside the junction box.

COMPLETING THE INSTALLATION (Fig. 1)

9. Align canopy (E) to mounting screws (A) and secure with cap nuts (F).
10. Secure finial (P) onto all thread (O).
11. Hook crystal drop (Q) to finial (P).
11. Install (6) six candelabra base bulbs up to 60 watts each or CFL or LED equivalent (not included) in accordance with the fixture specification. **(DO NOT EXCEED THE SPECIFIED WATTAGE!) (NE PAS DEPASSER LA PUISSANCE NOMINALE MAXIMALE!)**

Fig.1

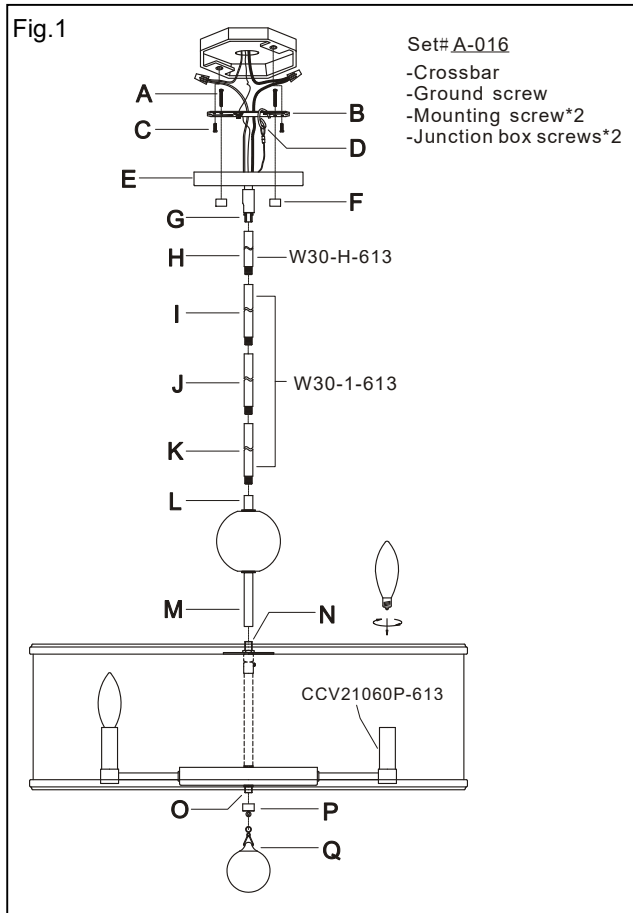
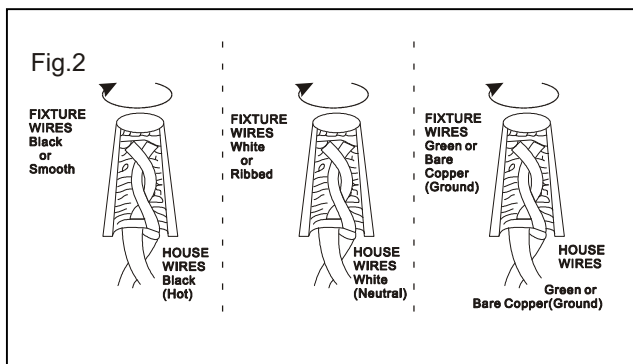
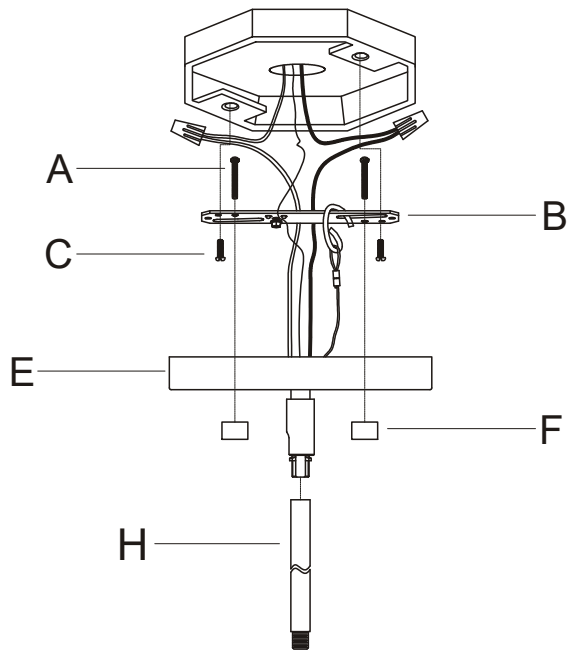


Fig.2



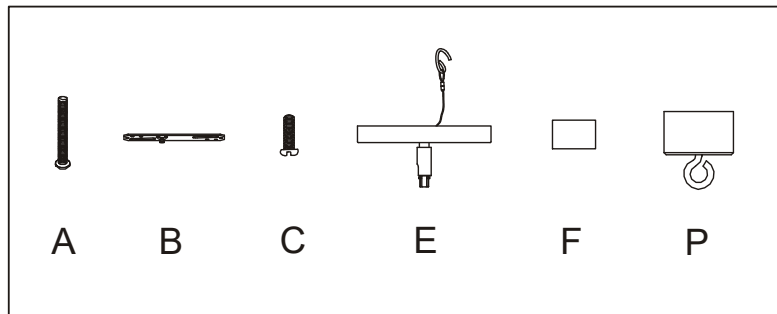
Your installation is now complete. Return power to the junction box and test the fixture.





a. Hardware Bag:

- A. Mounting Screws *2
- B. Crossbar *1
- C. Junction Box Screws *2
- E. Canopy *1
- F. Cap Nuts *2
- P. Finial *1



b. Hardware Bag:

- I-J-K. Rod 12" *3
- H. Rod 6" *1

