

INSTALLATION INSTRUCTIONS FOR FIXTURE Item#N7359-790 (New. 2022/5/20)

WARNING! SHUT POWER OFF AT FUSE OR CIRCUIT BREAKER.
AVERTISSEMENT! COUPER LE COURANT AU NIVEAU DES FUSIBLES OU DU DISJONCTEUR.

ASSEMBLING THE FIXTURE (Fig. 1 & Fig. 4)

1. Shut off power at the fuse box or circuit breaker box and remove the old fixture including the mounting hardware.
2. Carefully unpack your new fixture and lay out all the parts in a clean area. Take care not to misplace any small parts necessary for installation.
3. The arms have been placed to lay flat for shipping. Adjust arms to proper position. (See Fig. 4)
4. Thread fixture loop (H) onto all thread (J) of upper assembly (K).
5. Secure rod (M) to all thread (O) of socket assembly (S). Then thread upper assembly (K) to rod (M).
6. Carefully place rod threads (N) through holes on top of frame assembly (R). Then tighten with plastic washers and finials (Q).

ASSEMBLING THE FIXTURE (Fig. 2)

7. Thread all thread (C) into center lock hole of crossbar (A) with lock washer (Y1) and hex nut (Y2) until snug. Note: The length of all thread (C) into crossbar may be adjusted if necessary.
8. Take crossbar (A) assembly and mount to ceiling junction box (Not included) using mounting screws (B) (Size: # 8-32N*L1"). The side of crossbar (A) marked "GND" must face out.
9. Attach quick link (F) to fixture loop (H) and chain (G). Quick link must be completely closed when installed. By measuring, determine correct number of links needed for desired hanging height. Use a pair of chain pliers to open one end link of chain and discard excess chain. Attach quick link (F) to loop on bottom of canopy (D), then close quick link (F). Carefully lace fixture wires through chain links and pull until tight. Feed wires through canopy and all thread, then pull until tight.
10. The support cable is provided to support the weight of fixture while wiring. Align fixture to the crossbar (A) and attach hook (T) on the end of support cable (I) into a slot located on crossbar (A). Carefully allow the support cable (I) to support weight of fixture while wiring.

CONNECTING THE WIRE (Fig. 3)

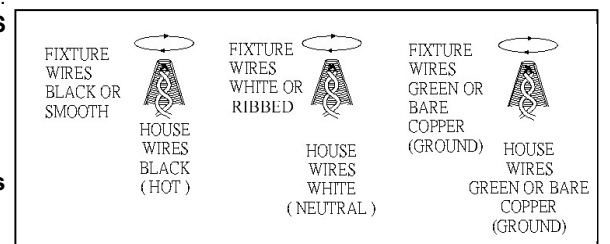
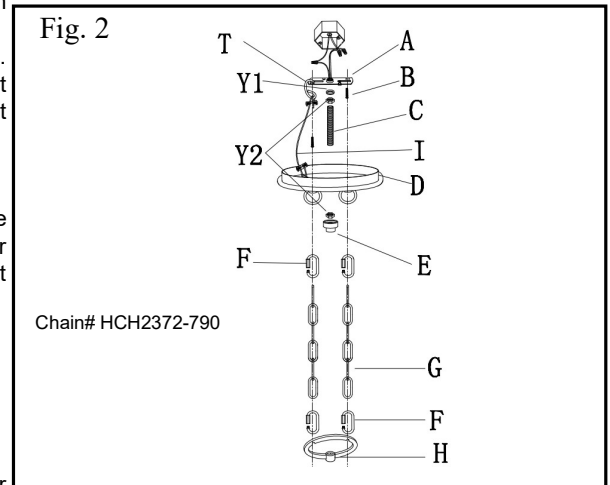
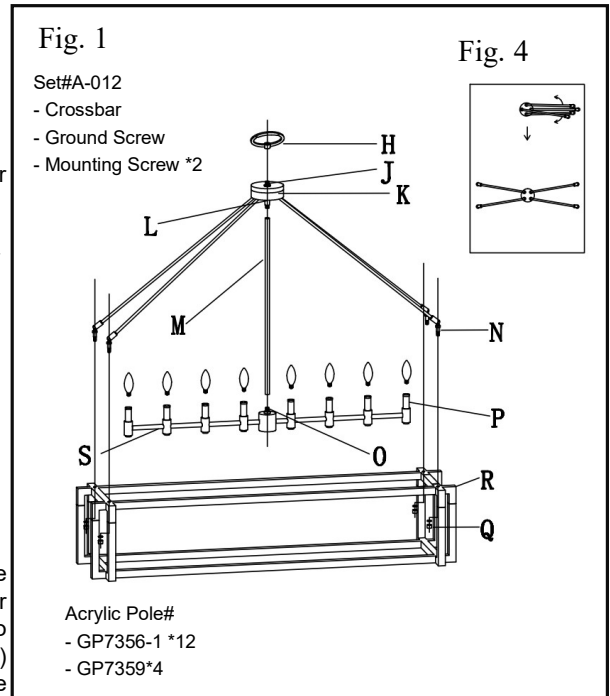
11. Connect the electrical wires as shown in Fig. 3, making sure that all wire connectors are secured. If your junction box has a ground wire (green or bare copper), connect fixture's ground wire to it. Otherwise, connect fixture's ground wire directly to crossbar using green screw provided.
12. Tuck wire connections neatly into junction box.

COMPLETING THE INSTALLATION (Fig. 1)

13. Place canopy (D) over end of all thread (C) and secure with hex nut (Y2) until snug.
14. Thread finial (E) onto end of all thread (C) and hand tighten until snug.
15. Install (8) eight candelabra base bulbs (P) up to 60 watts each or CFL or LED equivalent (not included) in accordance with the fixture specification.
—DO NOT EXCEED THE MAXIMUM WATTAGE RATING! (NE PAS DEPASSER LA PUISSANCE NOMINALE MAXIMALE!)

Your installation is now complete. Return power to the junction box and test the fixture.

Note: Illustration (Fig. 1) on this manual is for installation purposes only. It may or may not be identical to the fixture purchased.



Notice: It is important to use proper chain pliers (not included) To OPEN and CLOSE the chain included with this fixture. Do not open them with other tools that may twist or stress the chain links. It is important to use proper chain pliers like the ones shown in the diagram.

