

# INSTALLATION INSTRUCTIONS

Item#N7524-716-L (Convertible Lamps for Pendant) (New. 2022/05/19)

## READ AND SAVE THESE INSTRUCTIONS

**WARNING! SHUT POWER OFF AT FUSE OR CIRCUIT BREAKER.**

**AVERTISSEMENT! COUPER LE COURANT AU NIVEAU DES FUSIBLES OU DU DISJONCTEUR.**

### MOUNTING THE FIXTURE (Fig.1)

1. Shut off power at the fuse box or circuit breaker box and remove the old fixture including the mounting hardware.
2. Carefully unpack your new fixture and lay out all the parts on a clean area. Take care not to misplace any small parts necessary for installation.
3. Loosen screws (K) to remove mounting plate (A) from canopy (L).
4. Determine desired hanging height and thread rods (F1, F2 and F3) to all thread (I) on top of fixture body. Carefully pass wires through each rod during assembly. Secure swivels (G) onto rods (F1).
5. Align canopy (L) and metal plate (H) followed by lock washer (E) and metal washer (D) onto swivels (G) and secure with hex nuts (C) via wrench (J) (Not included).
6. Attach mounting plate (A) to junction box (Not included) with mounting screws (B) (Size: #8-32N\*L0.5"). The side of mounting plate (A) marked "GND" and two convex points must face out.

### CONNECTING THE WIRES (Fig. 2)

7. Connect the electrical wires as shown in Fig. 2, making sure that all wire connectors are secured. If your junction box has a ground wire (green or bare copper), connect fixture's ground wire to it. Otherwise, connect fixture's ground wire directly to mounting plate (A) using green screw provided.
8. Tuck wire connections neatly into junction box.

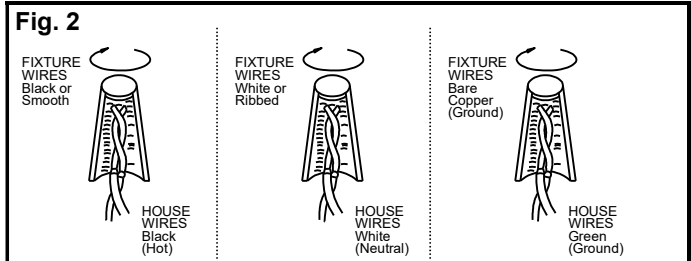
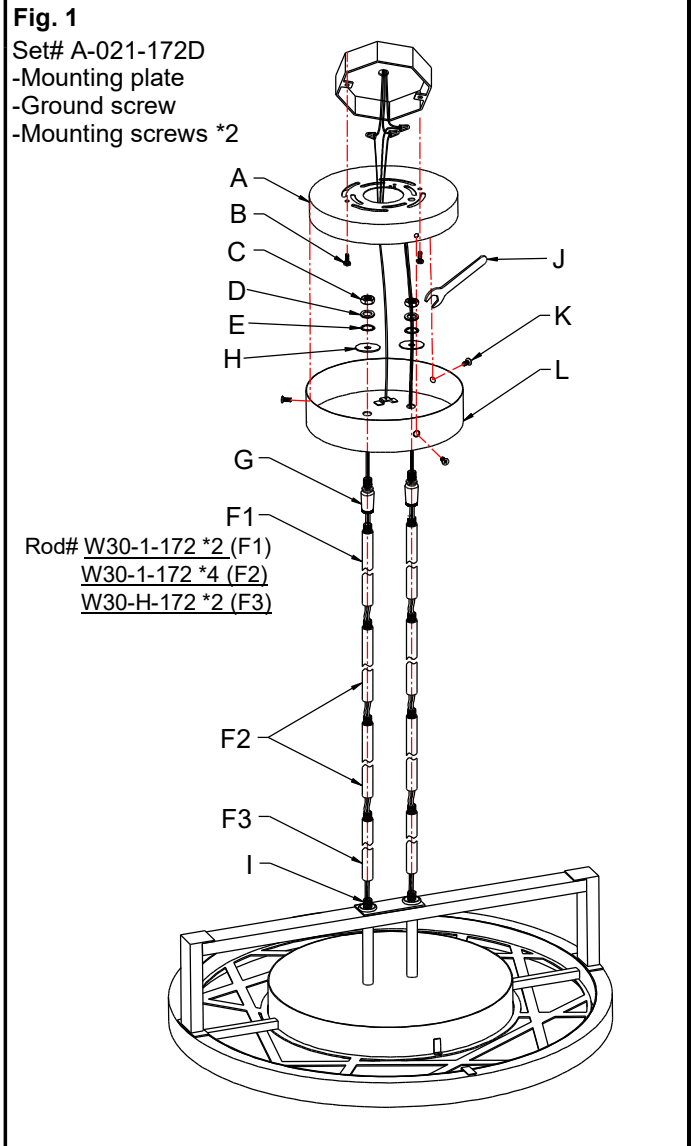
### FINISHING THE INSTALLATION (Fig.1)

9. Place canopy (L) over mounting plate (A) and secure with screws (K).

Your installation is now complete. Return power to the junction box and test the fixture.

**Note: Illustration (Fig.1) on this manual is for installation purposes only. It may or may not be identical to the fixture purchased.**

**Dimmable with ELV and/or LED compatible wall dimmer switches.**



# INSTALLATION INSTRUCTIONS

Item# N7524-716-L (Convertible Lamps for Semi Flush Mount) (New. 2022/05/19)

## READ AND SAVE THESE INSTRUCTIONS

**WARNING! SHUT POWER OFF AT FUSE OR CIRCUIT BREAKER.**

**AVERTISSEMENT! COUPER LE COURANT AU NIVEAU DES FUSIBLES OU DU DISJONCTEU**

### PREPARATION (Fig.3)

1. Loosen screws (K) to remove mounting plate (A) from canopy (L).
2. Secure rod (M) into all thread (I).
3. Thread canopy (L), metal plate (H), lock washer (E), metal washer (D) and hex nut (C) into all thread on top of rod (M). Then secure hex nut (C) by using wrench (J) (Not included). (Fig. 3)
4. Attach mounting plate (A) to junction box (Not included) with mounting screws (B) (Size: #8-32N\*L0.5"). The side of mounting plate (A) marked "GND" and two convex points must face out.

### CONNECTING THE WIRES (Fig. 2)

5. Connect the electrical wires as shown in Fig. 2, making sure that all wire connectors are secured. If your junction box has a ground wire (green or bare copper), connect fixture's ground wire to it. Otherwise, connect fixture's ground wire directly to mounting plate (A) using green screw provided.
6. Tuck the wire connections neatly into junction box.

### FINISHING THE INSTALLATION (Fig.3)

7. Place canopy (L) over mounting plate (A) and secure with screws (K).

Your installation is now complete. Return power to the junction box and test the fixture.

**Note: Illustration (Fig.3) on this manual is for installation purposes only. It may or may not be identical to the fixture purchased.**

**Dimmable with ELV and/or LED compatible wall dimmer switches.**

**Fig. 3**

Set# A-021-172D

- Mounting plate
- Ground screw
- Mounting screws\*2

