

INSTALLATION INSTRUCTIONS

Item#N7532-726-L (New. 2022/12/06)

READ AND SAVE THESE INSTRUCTIONS

WARNING! SHUT POWER OFF AT FUSE OR CIRCUIT BREAKER.

AVERTISSEMENT! COUPER LE COURANT AU NIVEAU DES FUSIBLES OU DU DISJONCTEU

PREPARATION (Fig.1)

1. Shut off power at the fuse box or circuit breaker box and remove the old fixture including the mounting hardware.
2. Carefully unpack your new fixture and lay out all the parts in a clean area. Take care not to misplace any small parts necessary for installation.
3. Determine desired hanging height and thread rods (F1, F2 and F3) to all thread (G) on fixture body. Attach canopy (D) by threading onto rod (F1). Carefully pass wires through each rod during assembly.
4. Attach mounting plate (A) to junction box (not included) with mounting screws (B) (Size: #8-32N*L0.5"). The side of mounting plate (A) marked "GND" and two convex points must face out.
5. The support cable is provided to support weight of fixture while wiring. Align fixture to mounting plate (A) and attach hook (T) on the end of support cable (C) into a slot located on mounting plate (A). Carefully allow support cable (C) to support the weight of fixture while wiring (Fig.1).

CONNECTING THE WIRES (Fig. 2)

6. Connect the electrical wires as shown in Fig. 2, making sure that all wire connectors are secured. If your junction box has a ground wire (green or bare copper), connect the fixture's ground wire to it. Otherwise, connect fixture's ground wire directly to mounting plate (A) using green screw provided.
7. Tuck wire connectors neatly into the junction box

COMPLETING THE INSTALLATION (Fig. 1)

8. Place canopy (D) over mounting plate (A) and secure with screws (E).
9. Secure all thread (L) (with nut side) onto metal washer (J), plastic washer (I) and glass shade (H), then secure them onto coupling (P). (Notice: Please don't secure too tight to prevent glass from breaking)
10. Place glass shield (M), plastic washer (I) into all thread (L) and secure with finial (N).

Fig. 1

Set#A-021-118DH

- Mounting plate
- Ground screw
- Mounting screw *2

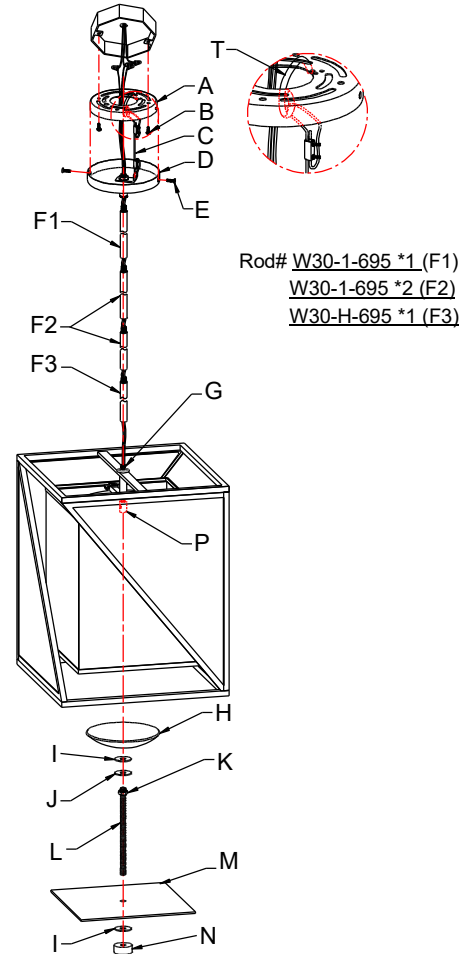
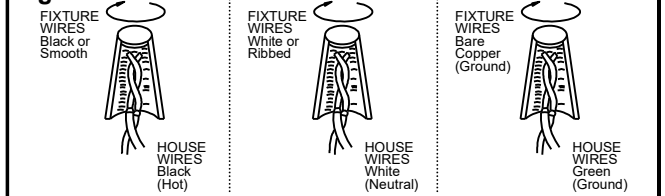


Fig. 2



INSTALLATION INSTRUCTIONS

Item# N7532-726-L (New. 2022/12/06)

READ AND SAVE THESE INSTRUCTIONS

WARNING! SHUT POWER OFF AT FUSE OR CIRCUIT BREAKER.
AVERTISSEMENT! COUPER LE COURANT AU NIVEAU DES FUSIBLES OU DU DISJONCTEU

Replacing LED module (Fig. 3)

The LED module can be replaced by a qualified electrician without cutting of wire and without damage to any decorative element to which the fixture is attached. See installation steps for more details (Fig 3.)

Warning: Turn off power at the fuse box or circuit breaker before replacing the LED module.

- Shut off the power.
- Loosen finial (N) and remove plastic washer (I), glass shield (M).
- Loosen all thread (L) and remove metal washer (J), plastic washer (I) and glass shade (H).
- Press button on quick connector marked "L" on LED module (Q) with screwdriver (not included) to disconnected black wire and then disconnect white wire from quick connector printed "N" on LED module (Q).
- Loosen screws (R), then carefully remove led module (Q) from fixture body.
- Reverse steps b-f for installing new LED module.

Note: The LED module should be provided by a specified supplier.

Your installation is now complete. Return power to the junction box and test the fixture.

Note: Illustration (Fig. 1) on this manual is for installation purposes only. It may or may not be identical to the fixture purchased.

Dimmable with ELV and/or LED compatible wall dimmer switches.

Fig. 3

