

INSTALLATION INSTRUCTIONS

Item #N7545-729 (07/07/2022)

READ AND SAVE THESE INSTRUCTIONS

WARNING! SHUT POWER OFF AT FUSE OR CIRCUIT BREAKER.
AVERTISSEMENT! COUPER LE COURANT AU NIVEAU DES FUSIBLES OU DU DISJONCTEUR.

PREPARING THE FIXTURE (Fig.2)

1. Carefully unpack the new fixture and lay out all the parts on a clear area. Take care not to lose any parts necessary for installation.
2. Shut off the power at the fuse box or circuit breaker. If necessary, remove the old fixture, including the mounting hardware.
3. By measuring determine desired hanging height and thread rods (C & I) into top all thread of fixture body. Then thread loop (D) onto top of rods.
4. Carefully pass fixture wires through each rod and loop (D) as you assemble.
5. Connect loop (D) to canopy with quick link (E).

MOUNTING THE FIXTURE (Fig.1)

6. Attach hickey to 1/4" IPS pipe (not included). The 1/4" IPS pipe must securely mount to a beam or a structural member.
7. Attach mounting strap to hickey and secure with hex nut. The all thread length may be adjusted if needed.
8. Lace safety cable through side of hickey. Loop safety cable around hickey and secure assembly with screws on cable lock as shown. Run cable through the top of outlet box and secure to a structural member.

CONNECTING THE WIRES (Fig. 3)

9. At this point, connect the electrical wires as shown in Fig. 3, making sure that all wire connectors are secured. If your outlet box has a ground wire (green or bare copper), connect the fixture's ground wire to it. Otherwise, connect the fixture's ground wire directly to the mounting strap using the green screw provided.
10. Tuck wire connectors neatly into outlet box.

FINISHING THE INSTALLATION (Fig.1 & 2)

11. Place fixture canopy (F) over two fixture screws (or all thread) and secure with decorative nuts.
12. Install glass (H) to arm and secure with screws and plastic washers provided.
13. Fasten small arm (B) to inside of the frame and secure with screws.
14. Fasten large arm (A) to outside of the frame and secure with screws.
15. Place candle cover (G) on socket.
16. Install (6) six candelabra base bulbs up to 60 watts each or CFL or LED equivalent (not included) in accordance with the fixture specification—**DO NOT EXCEED THE MAXIMUM WATTAGE RATING! (NE PAS DEPASSER LA PUISSANCE NOMINALE MAXIMALE!)**.

Your installation is now complete. Return power to the outlet box and test the fixture.

IMPORTANT: For a safe and secure installation, these fixtures must be installed by means of supports that are independent of the outlet box. (Note – For heavy fixtures hickey and cable lock are provided, other required hardware to be supplied by installer)

Note: Illustration on this manual is for installation purposes only. It may or may not be identical to the fixture purchased. Do not clean your light fixture or parts with water or cleanser.

Fig.1

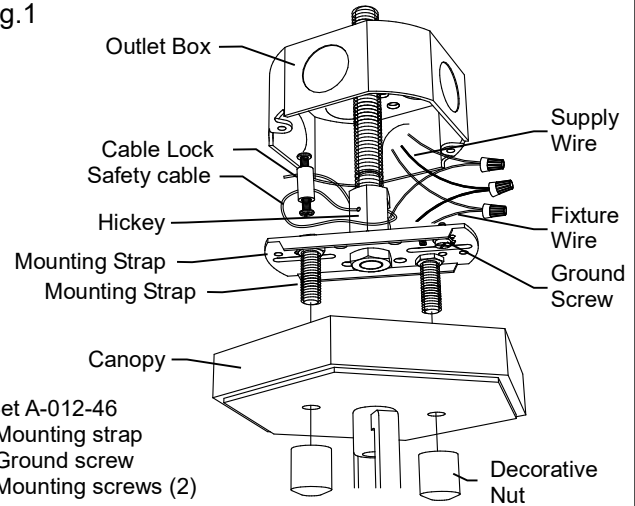


Fig.2

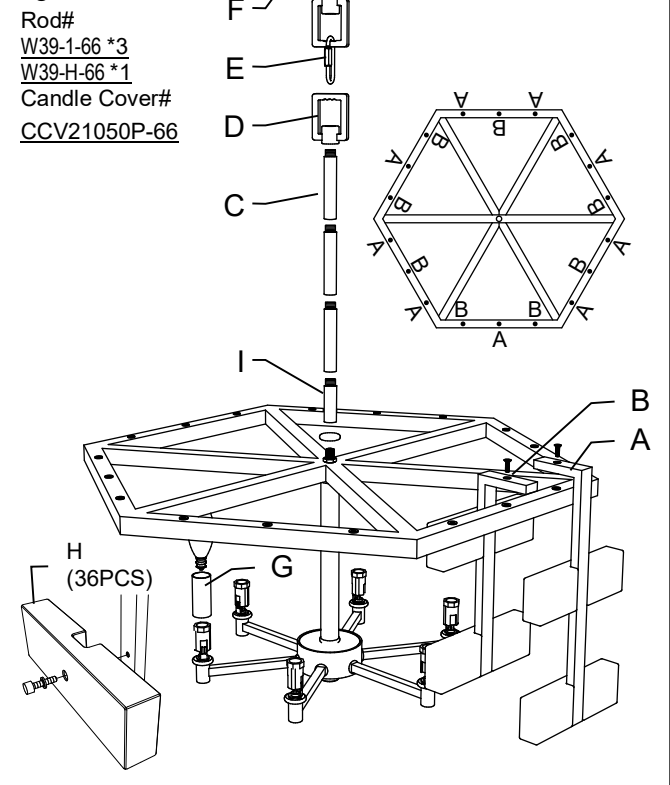


Fig.3

