

INSTALLATION INSTRUCTIONS

Item#N7653-705 (New. 2/11/2019)

READ AND SAVE THESE INSTRUCTIONS

WARNING! SHUT POWER OFF AT FUSE OR CIRCUIT BREAKER.

AVERTISSEMENT! COUPER LE COURANT AU NIVEAU DES FUSIBLES OU DU DISJONCTEUR.

MOUNTING THE FIXTURE (Fig.1)

1. Shut **off** power at the fuse box or circuit breaker box and remove the old fixture including the mounting hardware.
2. Carefully unpack your new fixture and lay out all the parts in a clean area. Take care not to misplace any small parts necessary for installation.
3. Remove the screw (C) and mounting plate (A).
4. Position the mounting plate (A) on the wall, and mark location of the two plastic anchors (9E). Drill the holes on the wall, and then insert the plastic anchors (E).
5. Attach the mounting plate (A) to the junction box using mounting screws (B) (Size: #8-32N*L0.5"). The side of the mounting plate marked "GND" must face out.
6. Secure the mounting plate (A) by inserting the wood screws (F) through the holes on the mounting plate into the plastic anchors (E).

CONNECTING THE WIRES (Fig. 2)

7. At this point, connect the electrical wires as shown in Fig. 2, making sure that all wire connectors are secured. If your outlet box has a ground wire (green or bare copper), connect the fixture's ground wire to it. Otherwise, connect the fixture's ground wire directly to the mounting plate (A) using the green screw provided. After wires are connected, tuck them carefully inside the junction box.

FINISHING THE INSTALLATION (Fig.1)

8. Install (3) three medium base bulbs (M) up to 100 watts **each** or CFL or LED equivalent (not included) in accordance with the fixture specification — **DO NOT EXCEED THE MAXIMUM WATTAGE RATING! (NE PAS DEPASSER LA PUISSANCE NOMINALE MAXIMALE!)**.
9. Place fixture body (D) over mounting plate (A) and fasten with screws (C).
10. Attach decorative crystals (L) to metal frame (J) by closing the pins that pass through holes of metal frame (J).

Fig. 1

Set#A-021-210300
-Mounting Plate
-Ground Screw
-Mounting Screw*2

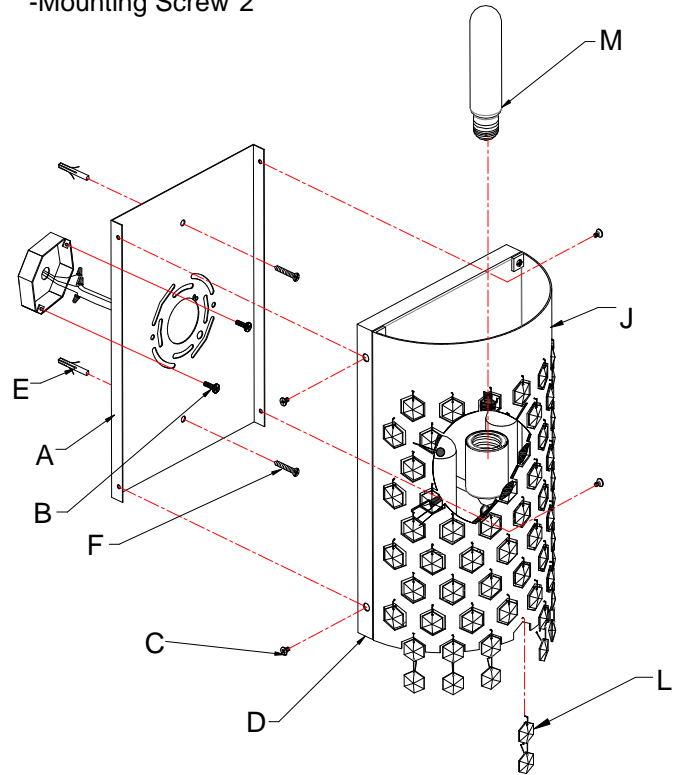
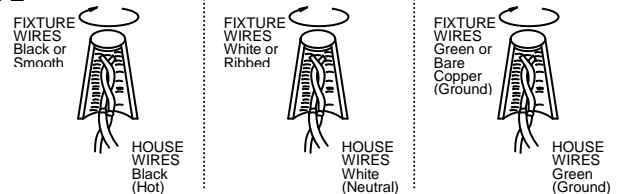


Fig. 2



Your installation is now complete. Return power and test the fixture.

Note: Illustration (Fig.1) on this manual is for installation purposes only. It may or may not be identical to the fixture purchased.

MIN 75°C SUPPLY CONDUCTORS

LA-3069E

