

# INSTALLATION INSTRUCTIONS

For item#N7715-700 (New. 12/28/2018)

## READ AND SAVE THESE INSTRUCTIONS

**WARNING! SHUT POWER OFF AT FUSE OR CIRCUIT BREAKER.**

**AVERTISSEMENT! COUPER LE COURANT AU NIVEAU DES FUSIBLES OU DU DISJONCTEUR.**

### PREPARING FOR INSTALLATION (Fig. 1)

1. Shut **off** power at the fuse box or circuit breaker box and remove the old fixture including the mounting hardware.
2. Carefully unpack your new fixture and lay out all the parts in a clean area. Take care not to misplace any small parts necessary for installation.
3. Align strip assembly (K) onto outer fixture body and secure with screws (J) as Fig. 1.
4. Secure metal tube (O) onto the nipple (I) of fixture body.
5. Determine the desired hanging height and thread rods (F1, F2 and F3) to the nipple of the metal tube (O). Then attach loop (H1) by screwing in to rod (F1). Note: Pass the wires carefully through each rod as you **assemble**.
6. Attach the quick link (G) connect to loop (H1) and loop (H2) on the canopy (E), carefully feed the wire over loop (H1), quick link (G) and loop (H2).
7. Position the mounting plate (C) on the ceiling, and mark location of the two mounting holes. Drill the holes on the wall, and then insert the plastic anchors (A).
8. Attach the mounting plate (C) to the junction box using mounting screws (B) (Size: #8-32N\*L0.5"). The side of the mounting plate marked "GND" must face out.
9. Secure the mounting plate (C) by inserting the wood screws (D) through the holes on the mounting plate into the plastic anchors (A).
10. The support cable is provided to support the weight of the fixture while wiring. Align the fixture to mounting plate (C) and attach hook (P) on the end of support cable (N) into a slot located on mounting plate (C). Carefully allow the support cable (N) to support the weight of the fixture while wiring.

### CONNECTING THE WIRES (Fig. 2)

11. At this point, connect the electrical wires as shown in figure 2, making sure that all wire connectors are secured. If your outlet has a ground wire (green or bare copper), connect the fixture's ground wire to it. Otherwise, connect the fixture's ground wire directly to the mounting plate using the green screw provided.
12. Tuck the wire connectors neatly into the ceiling Junction Box and then raise the canopy all the way to the ceiling.

### COMPLETING THE INSTALLATION (Fig. 1)

13. Place canopy (E) over the mounting plate (C) and secure it with screws (F).
14. Install (16) sixteen candelabra base bulbs up to 60 watts **each** or CFL or LED equivalent (not included) in accordance with the fixture specification — **DO NOT EXCEED THE MAXIMUM WATTAGE RATING! (NE PAS DEPASSER LA PUISSANCE NOMINALE MAXIMALE!)**.

Your installation is now complete. Return power to the outlet box and test the fixture.

**Note:** Illustration (Fig. 1) on this manual is for installation purposes only. It may or may not be identical to the fixture purchased.

Fig. 1

Set#A-021-438120

- Mounting Plate
- Ground screw
- Mounting Screw\*2

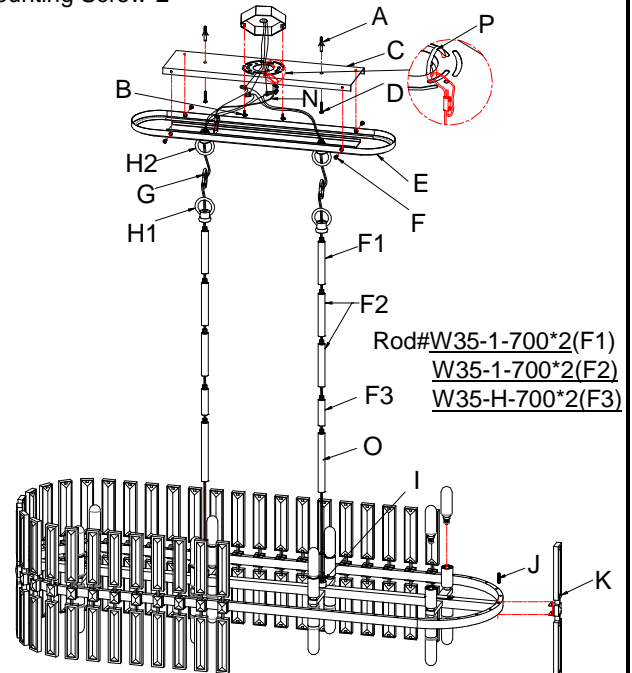


Fig. 2

