

# INSTALLATION INSTRUCTIONS

Item#N7752-143 (New.05/17/2021)

READ AND SAVE THESE INSTRUCTIONS

**WARNING! SHUT POWER OFF AT FUSE OR CIRCUIT BREAKER.**

**AVERTISSEMENT! COUPER LE COURANT AU NIVEAU DES FUSIBLES OU DU DISJONCTEUR.**

## HANGING THE FIXTURE (Fig. 1)

1. Shut off power at the fuse box or circuit breaker box and remove the old fixture including the mounting hardware.
2. Carefully unpack your new fixture and lay out all the parts in a clear area. Take care not to misplace any small parts necessary for installation.
3. Loosening screws (I) to remove metal frame (J) and cloth shade (H) from canopy (D).
4. First remove plastic tape from cloth shade (H). Then place acrylic sheet (G) into the bottom of the cloth shade (H).
5. Place cloth shade (H) into metal frame (J). Then lock metal frame (J) and metal frame (L) together with screws (K).
6. Thread screws (A) into pre-drilled holes in circular strap (B). Spaced the same distance apart as the holes in the canopy (D). The length of screws (A) may be adjusted if necessary.
7. Attach the circular strap (B) to the Junction box (not included) using mounting screws (C) (Size: #8-32N\*L0.5"). The side of the circular strap marked "GND" must face out.

## CONNECTING THE WIRES (Fig. 2)

8. Connect the electrical wires as shown in Fig. 2, making sure that all wire connectors are secured. If your junction box has a ground wire (green or bare copper), connect the fixture's ground wire to it. Otherwise, connect the fixture's ground wire directly to the circular strap (B) using the green screw provided.
9. Tuck wire connectors neatly inside the junction box.

## COMPLETING THE INSTALLATION (Fig. 1)

10. Thread screws (A) into canopy (D), and secure with knobs (E).
11. Install (2) two medium base bulbs (F) up to 60 watts each or CFL or LED equivalent (not included) in accordance with the fixture specification—**DO NOT EXCEED THE MAXIMUM WATTAGE RATING! (NE PAS DEPASSER LA PUISSANCE NOMINALE MAXIMALE!)**.
12. Attach metal frame assembly to canopy (D) using screws (I).

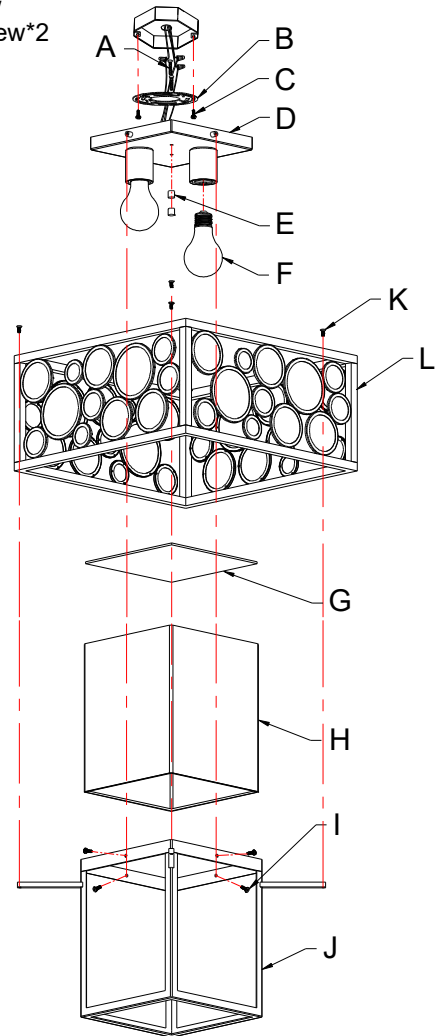
Your installation is now complete. Return power to the junction box and test the fixture.

**Note:** Illustration (Fig.1) on this manual is for installation purposes only. It may or may not be identical to the fixture purchased.

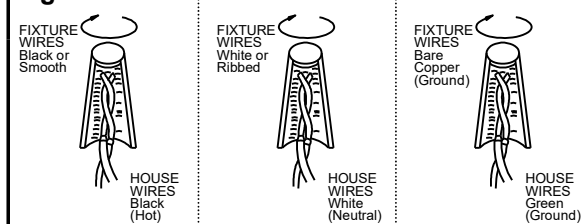
**Fig. 1**

Set# A-020

- Circular Strap
- Ground screw
- Mounting Screw\*2



**Fig. 2**



MIN 90°C SUPPLY CONDUCTORS



LA-3417E