

# INSTALLATION INSTRUCTIONS

Item#N7766-683(Rev. 9/13/2021)

## READ AND SAVE THESE INSTRUCTIONS

**WARNING! SHUT POWER OFF AT FUSE OR CIRCUIT BREAKER.**

**AVERTISSEMENT! COUPER LE COURANT AU NIVEAU DES FUSIBLES OU DU DISJONCTEUR.**

### PREPARATION (Fig. 1)

1. Shut off power at the fuse box or circuit breaker box and remove the old fixture including the mounting hardware.
2. Carefully unpack your new fixture and lay out all the parts in a clear area. Take care not to misplace any small parts necessary for installation.

### ASSEMBLING THE FIXTURE WITH CHAIN LOOP (Fig. 1)

3. Place acrylic board (M1) and decorative metal sheet (I) into metal bracket (U) of crossbar beam and bottom sheet (P), and secure with screws (V) at both ends.
4. Secure tube (T) to fixture body, and thread all thread of tube assembly through crossbar beam (O), secure with rods (F3).
5. Install solid acrylic (M2) in the same way as step 3.
6. Determine desired hanging height and thread rods (F1 and F2) to all thread of rod (F3). Attach loop (H1) onto rod (F1) Pass wires carefully through each rod as you assemble.
7. Attach quick link (G) to loop (H1) and loop (H2) on canopy (R). Carefully feed wire through loop (H1), quick link (G) and loop (H2).
8. Position mounting plate (J) to ceiling, and mark location of four plastics anchors (A). Drill holes on ceiling, and insert plastic anchors (A). Attach mounting plate (J) to junction box using mounting screws (K) (Size: #8-32N\*L0.5"). The side of the crossbar marked "GND" must face out. Secure mounting plate (J) by inserting wood screws (E) through holes on mounting plate into plastic anchors (A).
9. The support cable is provided to support weight of fixture while wiring. Align fixture to mounting plate (J) and attach hook (Q) on the end of support cable (N) into a slot located on mounting plate (J). Carefully allow support cable (N) to support weight of fixture while wiring.

### CONNECTING THE WIRES (Fig. 2)

10. At this point, connect the electrical wires as shown in fig 2, making sure that all wire connectors are secured. If your outlet has a ground wire (green or bare copper), connect the fixture's ground wire to it. Otherwise, connect the fixture's ground wire directly to the mounting plate (J) using the green screw provided.
11. Tuck wire connectors neatly into outlet box.

### COMPLETING THE INSTALLATION (Fig. 1)

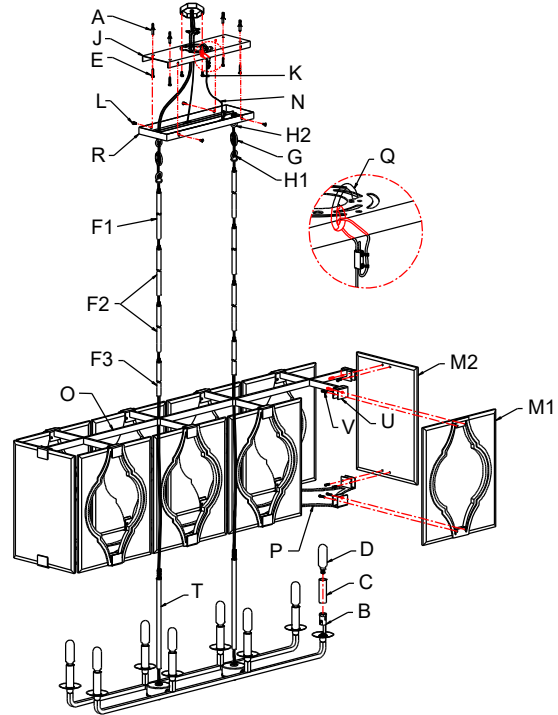
12. Place canopy (R) onto mounting plate (J) and secure with screws (L).
13. Place candle covers (C) over sockets (B).
14. Install (8) eight candelabra base bulbs (D) up to 60 watts each or CFL or LED equivalent (not included) in accordance with the fixture specification — **DO NOT EXCEED THE MAXIMUM WATTAGE RATING! (NE PAS DEPASSER LA PUISSANCE NOMINALE MAXIMALE!).**

Your installation is now complete. Return power to outlet box and test the fixture.

**Note: Illustration (Fig. 1) on this manual is for installation purposes only. It may or may not be identical to the fixture purchased.**

Fig. 1

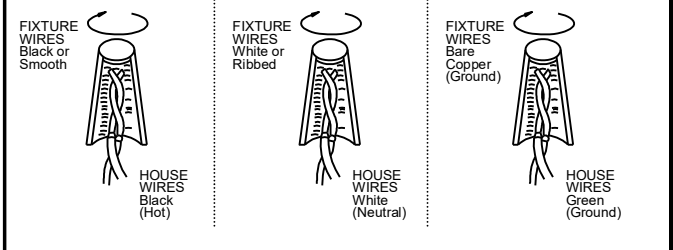
Set# A-021-34010  
-Crossbar  
-Ground Screw  
-Mounting Screw\*2



Rod# W30-1-GMS\*2(F1)  
W30-1-GMS\*4(F2)  
W30-H-GMS\*2(F3)

Candle Cover# CCV21069P-710

Fig. 2



LA-3097E

Intertek