

INSTALLATION INSTRUCTIONS

For item#N7768-683 (Rev. 4/17/2019)

READ AND SAVE THESE INSTRUCTIONS

WARNING! SHUT POWER OFF AT FUSE OR CIRCUIT BREAKER.

AVERTISSEMENT! COUPER LE COURANT AU NIVEAU DES FUSIBLES OU DU DISJONCTEUR.

PREPARING FOR INSTALLATION (Fig. 1&Fig. 3)

1. Shut off power at the fuse box or circuit breaker box and remove the old fixture including the mounting hardware.
2. Carefully unpack your new fixture and lay out all the parts in a clear area. Take care not to misplace any small parts necessary for installation.
3. Place the acrylic board (H) and decorative metal sheet (I) into the metal bracket (J) of crossbar beam and bottom sheet (P), and secure with screws (G) at both ends.
4. **Secure tube (T) to fixture body, and thread nipple of tube assembly over thru crossbar (F), secure with fixture loop (A).**
5. Attach metal plate (K) to bracket (J) tightly by using screws (E).
6. Thread the nipple into the ceiling loop until snug.
7. Thread the other end of the nipple into the crossbar until snug. Note: The length of the nipple into the crossbar may be adjusted if necessary.
8. Use the lock washer and hex nut to secure the nipple into the crossbar.
9. Take this crossbar assembly and mount it to ceiling outlet box with mounting screws (Size: #8-32N*L0.5"). The side of crossbar marked "GND" must face out.
10. Determine the desired hanging height and use a pair of proper chain pliers to remove and discard the excess chain.
11. Open the quick link and connect to the fixture loop and end of chain, then close the quick link.
12. Carefully lace the fixture's wires through the chain, slip lock collar, canopy over the chain and wire, carefully let these parts rest on the fixture loop.
13. Open the other quick link to connect other end link of chain to the ceiling loop on the canopy. Then close the quick link.
14. Feed the fixture wires through the loop and nipple assemble.

CONNECTING THE WIRES (Fig. 2)

15. Connect the electrical wires as shown in Fig. 2, making sure that all wire connectors are secured. If your outlet box has a ground wire (green or bare copper), connect the fixture's ground wire to it. Otherwise, connect the fixture's ground wire directly to the crossbar using the green screw provided.
16. Tuck the wire connections neatly into the ceiling outlet box. Raise the canopy to the ceiling and secure it with the lock collar to the ceiling loop.

COMPLETING THE INSTALLATION (Fig. 3)

17. Place the candle covers (C) over the sockets (B).
18. Install (8) eight candelabra base bulbs (D) up to 60 watts each or CFL or LED equivalent (not included) in accordance with the fixture specification—**DO NOT EXCEED THE MAXIMUM WATTAGE RATING! (NE PAS DEPASSER LA PUISSANCE NOMINALE MAXIMALE!)**.

Your installation is now complete. Return power to the outlet box and test the fixture.

Note: Illustration (Fig. 3) on this manual is for installation purposes only. It may or may not be identical to the fixture purchased.

Fig. 1

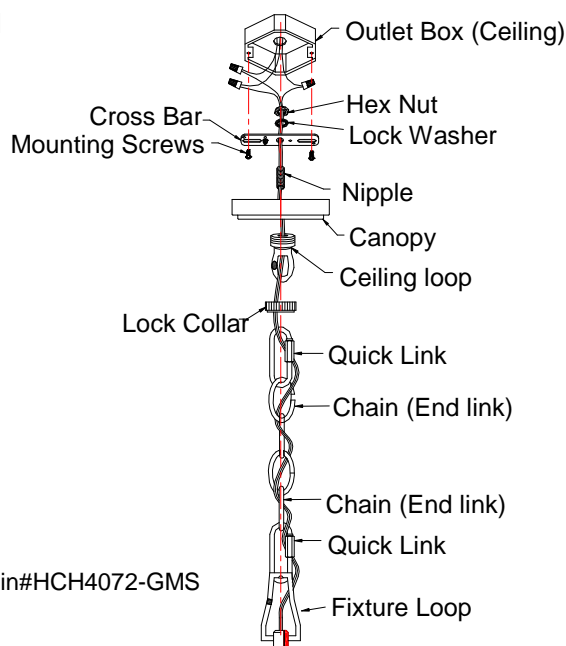


Fig. 2

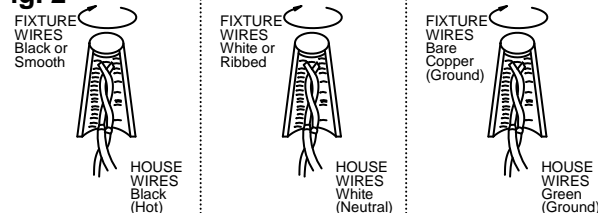
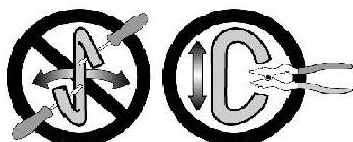
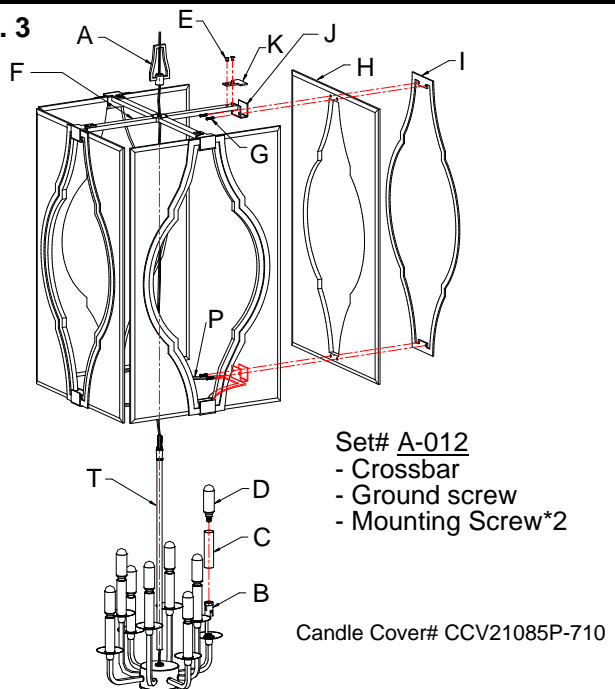


Fig. 3



Notice: It is important to use proper chain pliers (not included) To OPEN and CLOSE the chain included with this fixture. Do not open them with other tools that may twist or stress the chain links. It is important to use proper chain pliers like the ones shown in the diagram.



LA-3099E