

# INSTALLATION INSTRUCTIONS

For item#N7768-683 (Rev. 9/13/2021)  
**READ AND SAVE THESE INSTRUCTIONS**

**WARNING! SHUT POWER OFF AT FUSE OR CIRCUIT BREAKER.**

**AVERTISSEMENT! COUPER LE COURANT AU NIVEAU DES FUSIBLES OU DU DISJONCTEUR.**

## PREPARING FOR INSTALLATION (Fig. 1&Fig. 3)

1. Shut off power at the fuse box or circuit breaker box and remove the old fixture including the mounting hardware.
2. Carefully unpack your new fixture and lay out all the parts in a clear area. Take care not to misplace any small parts necessary for installation.
3. Place acrylic board (H) into metal bracket (J) of crossbar beam and bottom sheet (P), and secure with screws (G) at both ends.
4. Secure tube (T) to fixture body, and all thread of tube assembly through crossbar beam (F), secure with fixture loop (A).
5. Attach metal plate (K) to bracket (J) by using screws (E).
6. Thread all thread into ceiling loop until snug.
7. Thread the other end of all thread into crossbar until snug. Note: The length of the nipple into the crossbar may be adjusted if necessary.
8. Use lock washer and hex nut to secure all thread into crossbar.
9. Take crossbar assembly and mount it to ceiling outlet box with mounting screws (Size: #8-32N\*L0.5"). The side of crossbar marked with "GND" must face out.
10. Determine desired hanging height and use a pair of proper chain pliers to remove and discard the excess chain.
11. Open quick link and connect to fixture loop and end of chain, then close quick link.
12. Carefully lace fixture's wires through chain, slip lock collar, canopy over chain and wire. Let these parts carefully rest on fixture loop.
13. Open other quick link to connect to end link of chain to ceiling loop on canopy. Then close the quick link.
14. Feed fixture wires through loop and all thread assemble.

## CONNECTING THE WIRES (Fig. 2)

15. Connect the electrical wires as shown in Fig. 2, making sure that all wire connectors are secured. If your outlet box has a ground wire (green or bare copper), connect the fixture's ground wire to it. Otherwise, connect the fixture's ground wire directly to the crossbar using the green screw provided.
16. Tuck wire connections neatly into ceiling outlet box.

## COMPLETING THE INSTALLATION (Fig. 3)

17. Raise canopy to ceiling and secure with lock collar to ceiling loop.
18. Place candle covers (C) over sockets (B).
19. Install (8) eight candelabra base bulbs (D) up to 60 watts each or CFL or LED equivalent (not included) in accordance with the fixture specification—**DO NOT EXCEED THE MAXIMUM WATTAGE RATING! (NE PAS DEPASSER LA PUISSANCE NOMINALE MAXIMALE!)**.

Your installation is now complete. Return power to the outlet box and test the fixture.

**Note: Illustration (Fig. 3) on this manual is for installation purposes only. It may or may not be identical to the fixture purchased.**

Fig. 1

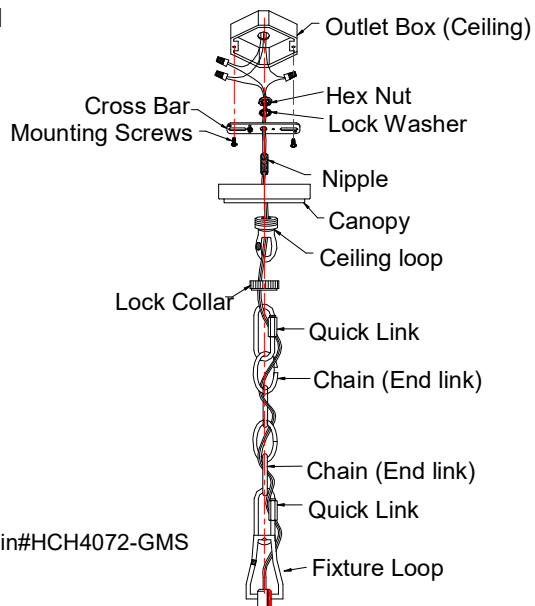


Fig. 2

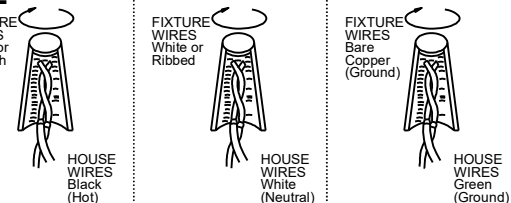
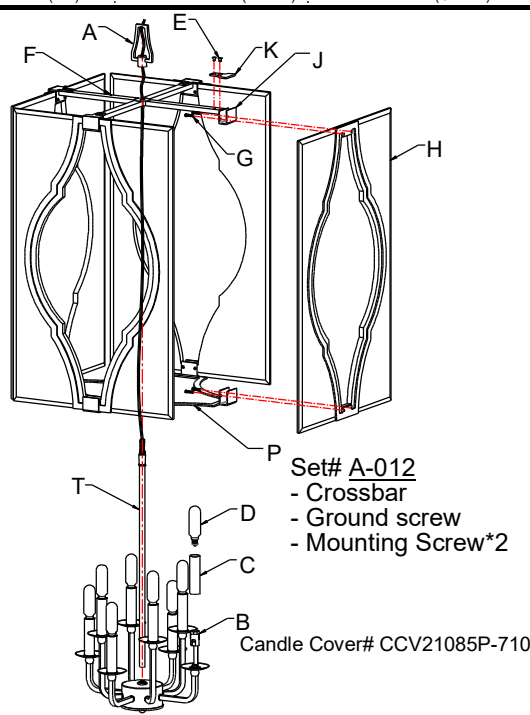


Fig. 3



Notice: It is important to use proper chain pliers (not included) To OPEN and CLOSE the chain included with this fixture. Do not open them with other tools that may twist or stress the chain links. It is important to use proper chain pliers like the ones shown in the diagram.



LA-3099E